

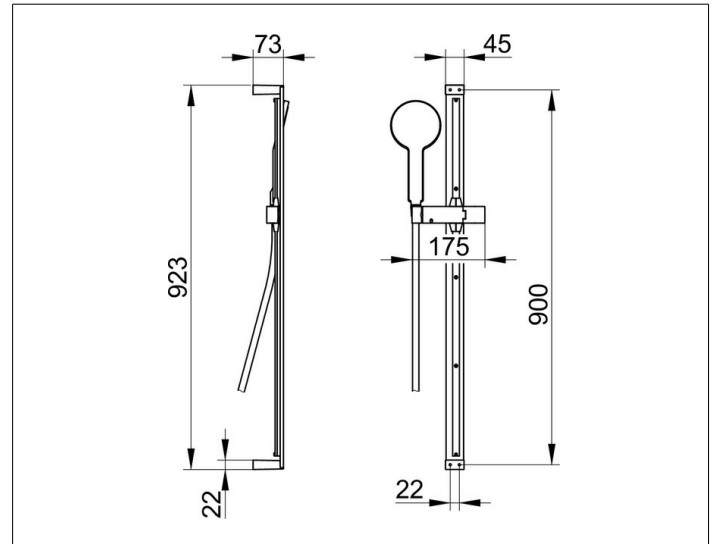
Edition 11

51187050000 Shower set

PRODUCT



DRAWING



PRODUCT ATTRIBUTES

consisting of:

- rail 900 mm and hand-shower bracket height adjustable with handle, with adjustable tilt angle, mountable on the right or left side
- spacer disc (5 mm)
- hand shower with normal jet
- shower hose, 1600 mm

SURFACE

brushed nickel

DIMENSION

900 mm