

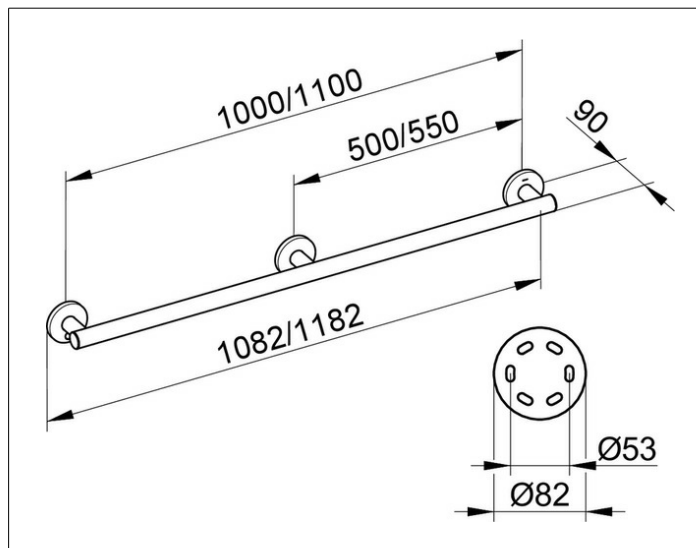
**Plan Care**

**34901011100 Grab bar**

**PRODUCT**



**DRAWING**



**PRODUCT ATTRIBUTES**

for horizontal or vertical installation

**SURFACE**

chrome-plated

**DIMENSION**

1182 mm

**SPECIFICATIONS**

KEUCO PLAN CARE grab rail  
 34901011100  
 High shine chrome-plate grab rail  
 in esthetic, practical and ergonomic Design  
 For horizontal or vertical Fitting up to 115 kg load capacity,  
 anti-static,  
 easy to clean  
 Pipe diameter 33 mm,  
 Rosette Diameter 82 mm  
 Base measurement 1100 mm,  
 with a Total Width of 1182 mm  
 Projection 90 mm,  
 Wall distance 57 mm  
 The Support handle will be at 6 places discretely mounted,  
 The Handle is TUEV-GS tested

The 1100 mm long model are provided  
 With a third wall mounting set (in the middle)

Included in delivery:  
 mounting set 1 /Art. no. 34990 000100)  
 each 1 x per wall mounting set

Further mounting sets (depending on type of wall)  
 mounting set 4 (Art. no. 34990 000200), or  
 mounting set 7 (Art. no. 34993 000200)  
 Please order additionally  
 (each 1 x per wall mounting set)