

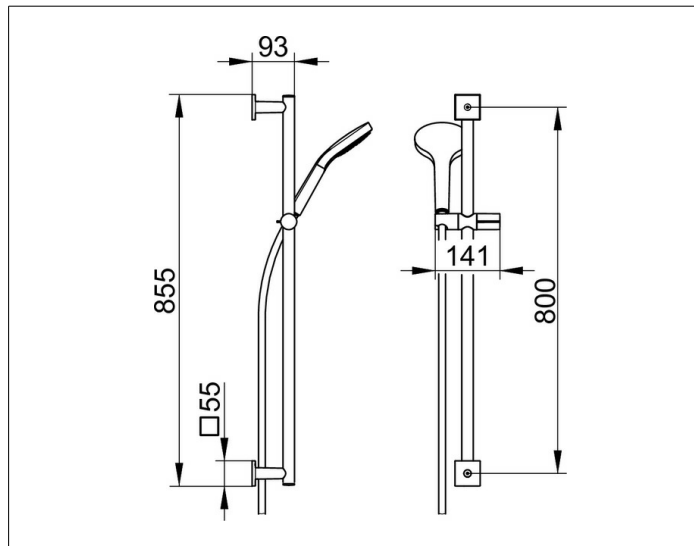
IXMO

59587010802 Shower set

PRODUCT



DRAWING



PRODUCT ATTRIBUTES

consisting of:

- rail 855 mm (rosettes square) and hand-shower bracket, height adjustable with handle, adjustable tilt angle, mountable on the right or left side
- spacer disc (5 mm)
- hand shower with normal, soft, massage jet
- shower hose, 1600 mm

SURFACE

chrome-plated

DIMENSION

855 mm