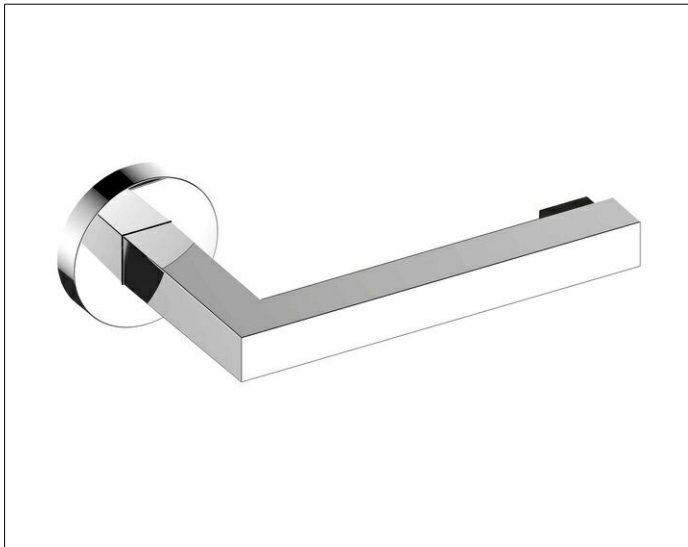


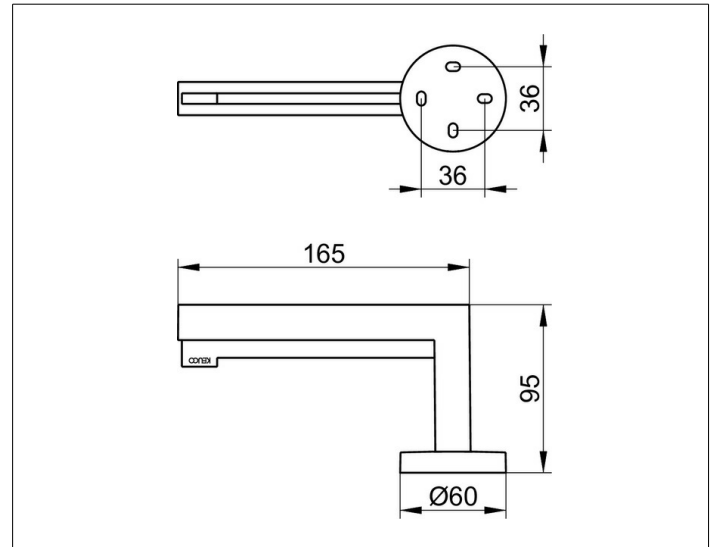
Edition 90

19062010000 Toilet paper holder

PRODUCT



DRAWING



PRODUCT ATTRIBUTES

open form, with roll brake
for 100/120 mm wide paper rolls

SURFACE

chrome-plated

SPECIFICATIONS

KEUCO EDITION 90 - Toilet paper holder - 19062010000

Clarity and basic geometric forms

Opulent Design - Design that impresses - Refines the bathroom - Open form for 100/120 mm wide paper rolls - With roll brake

Width / \varnothing : 165 mm - Height: 60 mm - Dimension: 95 mm

Material: Metal

Surface: chrome

The product can be screwed or glued - Concealed fastening - Including corrosion-free fastening material

Optional glue set

Glue set no. 2 - Art.no.glueset 4994000200

Articlenumber: 19062010000