

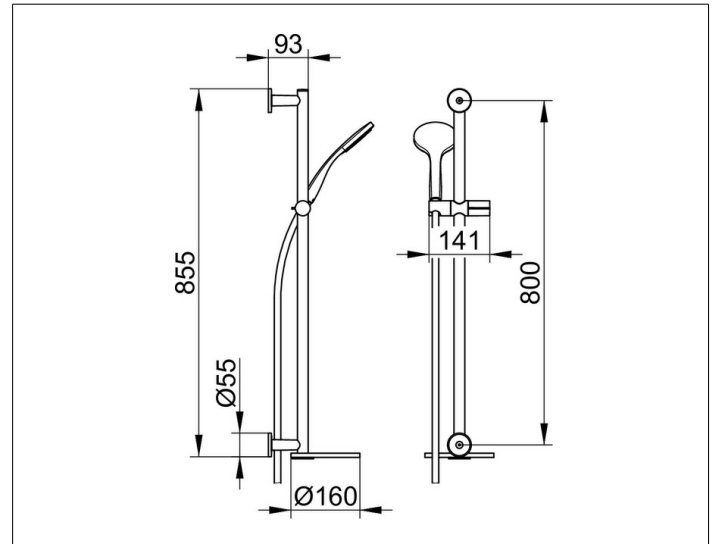
IXMO

59587010911 Shower set

PRODUCT



DRAWING



PRODUCT ATTRIBUTES

consisting of:

- rail 855 mm (rosettes round) and hand-shower bracket, height adjustable with handle, adjustable tilt angle
- spacer disc (5 mm)
- with swivelling shelf (Ø 180 mm)
- hand shower with normal jet
- shower hose, 1600 mm

SURFACE

chrome-plated/anthracite

DIMENSION

855 mm