

## Technische Daten/ Technical Data

KLUDI A-QA  
head shower 1 S  
250 mm  
DN 15

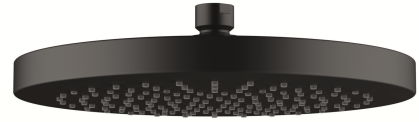
Ref.:  
6651139-00

Finishes:  
39 matt black

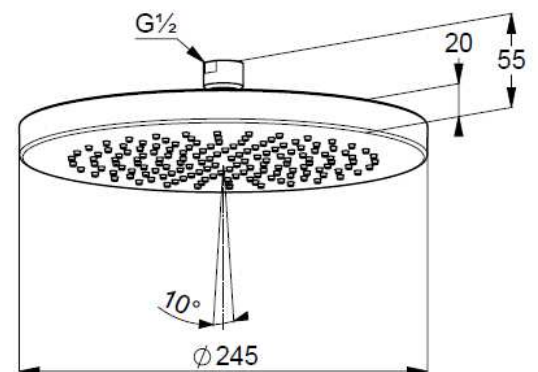
Product description  
Manufacturer KLUDI GmbH & Co. KG  
Typ: KLUDI A-QA  
head shower 1 S  
250 mm  
Ref.: 6651139-00

head shower 1 S  
1 spray pattern  
with cleaning system  
flow rate at 3 bar 37 l/min.  
connection G $\frac{1}{2}$   
with ball joint  
 $\varnothing$  250 mm  
sieve seal

### Produktabbildung/ Product picture



### Maßzeichnung/ Dimensional drawing



### Durchfluss/ Flow rate

