

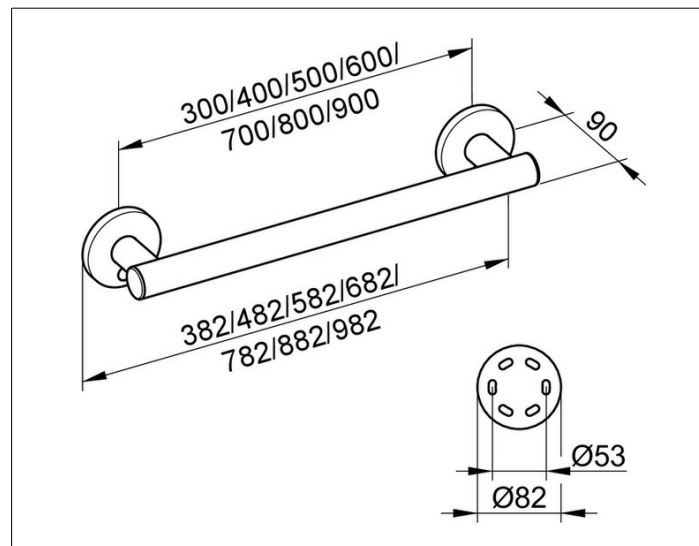
Plan Care

34901170700 Grab bar

PRODUCT



DRAWING



PRODUCT ATTRIBUTES

for horizontal or vertical installation

SURFACE

aluminium silver anodized (E6 EV1)/chrom

DIMENSION

782 mm

SPECIFICATIONS

KEUCO PLAN CARE grab rail 34901170700

Grab rail in aluminium silver anodized

in esthetic, practical and ergonomic Design

For horizontal or vertical Fitting up to 115 kg load capacity, anti-static,

easy to clean

Pipe diameter 33 mm,

Rosette Diameter 82 mm

Base measurement 700 mm,

with a Total Width of 782 mm

Projection 90 mm,

Wall distance 57 mm

The Support handle will be at 6 places discretely mounted,

The Handle is TUEV-GS tested

Included in delivery:

mounting set 1 /Art. no. 34990 000100)

each 1 x per wall mounting set

Further mounting sets (depending on type of wall)

mounting set 4 (Art. no. 34990 000200), or

mounting set 7 (Art. no. 34993 000200)

Please order additionally

(each 1 x per wall mounting set)