

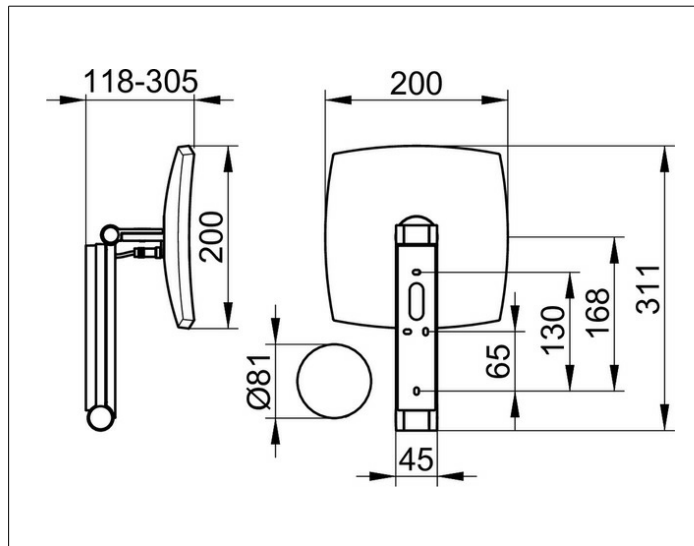
**Cosmetic mirrors**

**17613019002 Cosmetic mirror**

**PRODUCT**



**DRAWING**



**PRODUCT ATTRIBUTES**

illuminated, 5-stage adjustable light colour from 2700 kelvin (warm white) to 6500 kelvin (daylight), glass control panel, in-wall cable layout, on pivoted rail adjustable in three dimensions, one-sided mirror, magnification factor x 5

**Operation:**

Glass control panel with capacitive touch sensor and LED display

**Power supply:**

Mains connection via wall socket, 12 V in-wall adapter, input 220-240 V, standby consumption: < 0,5 watt

**Illumination:**

LED 7 watt (lifespan > 50.000 hours)

EEK: D , 8 kWh/1000h

**SURFACE**

chrome-plated

**DIMENSION**

2 Lichtfarben, ohne Kabel

**SPECIFICATIONS**

KEUCO iLook\_move cosmetic mirror, 17613019002

high quality cosmetic mirror, square, chrome-plated, illuminated, on pivoted rail, wall-mounted surface with 4 fixing points for optimal load distribution, adjustable in three dimensions, one-sided mirror, magnification factor x 5, Mains connection via wall socket, 12V in-wall adapter (included), input 220-240 V in-wall cable layout, Illumination: 1 x 7 Watt LED (maintance-free), standby consumption: smaller 0,5 Watt, high quality, easy to clean glass control panel with capacitive touch sensor and LED display, Light colours: 2700 Kelvin (warm white) – 6500 Kelvin (daylight), 5-stage adjustable light colour, Height wall fixing 180 mm, width ca. 45 mm, max. height ca. 500 mm, outside diameters 200 x 200 mm, max. depth ca. 300 mm, the cosmetic mirror is fixed concealed delivery includes anti-corrosion fixings

**Note:**

Transformer to be housed in recessed function box (68mm)

Please go to [www.keuco.de](http://www.keuco.de) for detailed instructions and advise.