

Technische Daten/ Technical Data

KLUDI LOGO
hand shower 3 S
DN 15

Ref.:
6830039-00

Finishes:
39 matt black

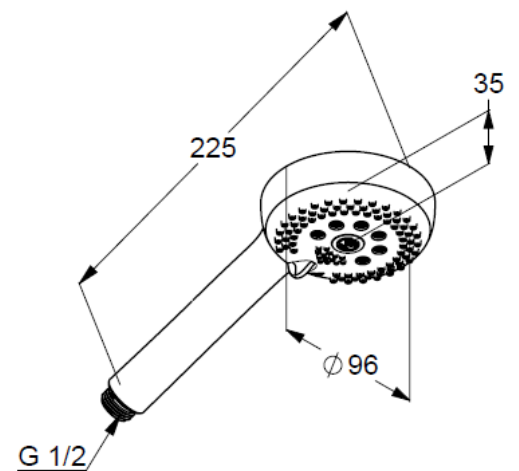
Product description
Manufacturer KLUDI GmbH & Co. KG
Typ: KLUDI LOGO
hand shower 3 S
Ref.: 6830039-00

hand shower 3 S
3 spray pattern
Volumen/booster/smooth
with cleaning system
connection G $\frac{1}{2}$
sieve seal

Produktabbildung/ Product picture



Maßzeichnung/ Dimensional drawing



Durchfluss/ Flow rate

