

## Technische Daten/ Technical Data

### KLUDI ZENTA SL

concealed thermostatic shower mixer  
trim set with functional unit

Ref.: 388850545

Finishes:  
05 chrome

#### Product description

Manufacturer KLUDI GmbH & Co. KG

Typ: KLUDI ZENTA SL

concealed thermostatic shower mixer  
trim set with functional unit

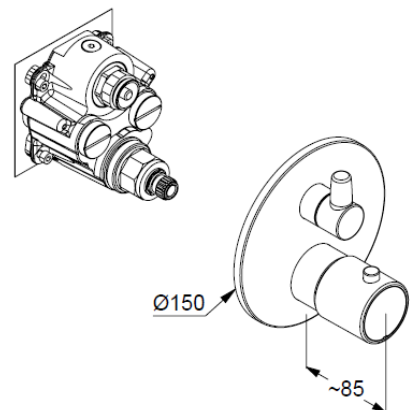
Ref.: 388850545

concealed thermostatic shower mixer  
trim set without pre-installation set  
pre installation set KLUDI SLIM.BOXX Ref.: 88022  
wall mounted  
trim set with functional unit  
with ceramic shut-off valve 90°/90°  
temperature handle with hot water safety at 38°C  
flow rate at 3 bar 28 l/min.  
with integrated back flow preventer

### Produktabbildung/ Product picture



### Maßzeichnung/ Dimensional drawing



### Durchfluss/ Flow rate

