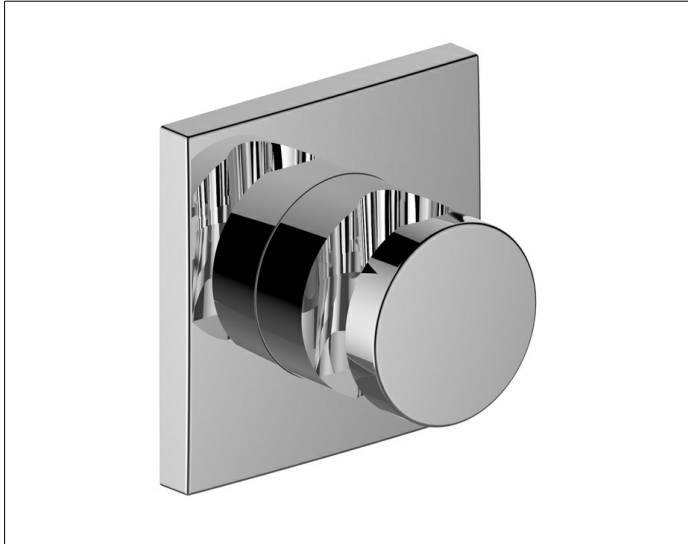


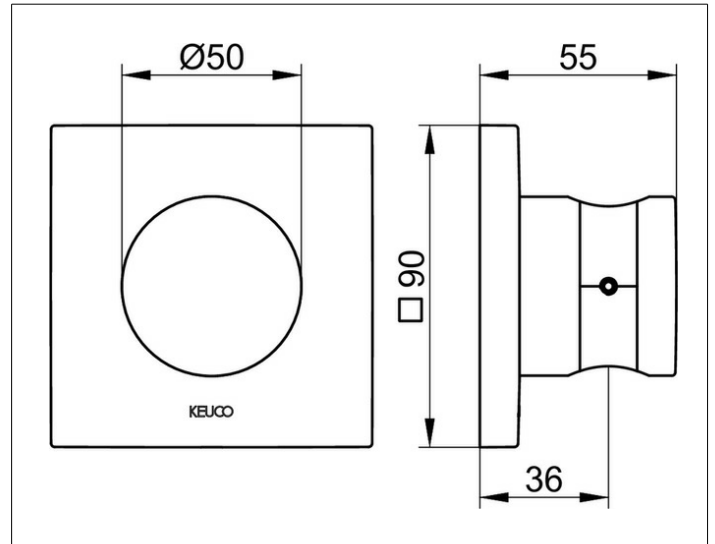
**IXMO**

59591010002 Wall bracket for hand shower

**PRODUCT**



**DRAWING**



**PRODUCT ATTRIBUTES**

for shower hoses with fitted conical end brackets, with square decorative disc, may be used on the left or right

**SURFACE**

chrome-plated