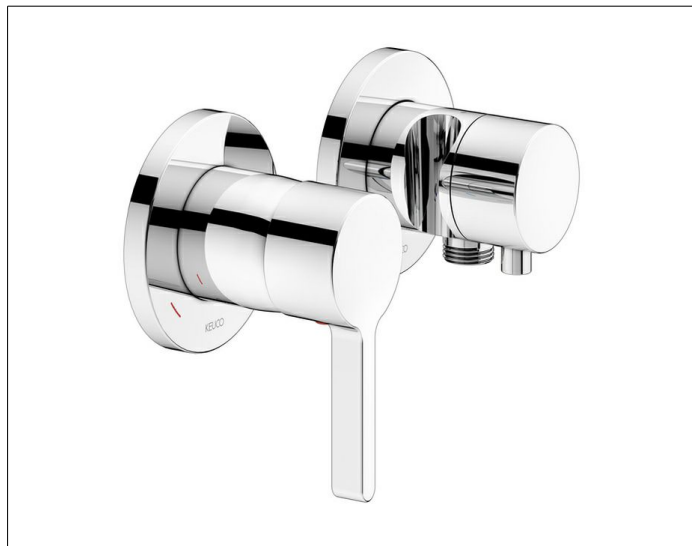


**Edition 400**

**51551011221 2-way single lever mixer set with wall outlet for shower hose and hand shower bracket**

**PRODUCT**



**DRAWING**



**PRODUCT ATTRIBUTES**

Consisting of:

- Single lever mixer
- Mixing cartridge with ceramic sealing gaskets, temperature controlled handle, sleeve, rosette (round) and installation unit
- Diverter valve for shower hoses with fitted conical end brackets handle, sleeve rosette (round) and diverter with backflow preventer

**SURFACE**

chrome-plated

**SPECIFICATIONS**

KEUCO EDITION 400 Single lever mixer set 51551 011221, consisting of:

KEUCO Single lever mixer UP DN15, 51551 010001 highgloss chrome-plated single lever mixer for shower and bath made of low-dezincification brass, with round rosette, freely positionable, installation depth 80 - 110 mm, casing soundproofed, noise tested, suitable for boilers, highquality mixing cartridge with ceramic sealing gaskets and temperature controlled,

Set consisting of:  
handle (EDITION 400), sleeve, rosette (round) and installation unit, total height with handle 135 mm, rosette Ø 90mm thickness 10 mm, total projection 80 mm, suitable for concealed installation unit article no. 59551000070

KEUCO IXMO Single lever mixer set consisting of: diverter valve with wall outlet for shower hose and hand shower bracket UP DN15, 59556 011201

2 way diverter valve made of high-gloss chrome-plated brass with IXMO handle Comfort and round rosette, freely positionable, noise tested, suitable for boilers, installation depth 80-110 mm, with adjustment option for fine assembly for handle and rosette, with wall outlet for shower hose G 1/2 inch, rosette Ø 90 mm, thickness 10 mm, total projection 80 mm,

The wall outlet for shower hose is intrinsically safe against backflow according to DIN EN 1717.

All inlets planned below the water inlet line are to be checked and, if necessary, according to DIN 1988 secure against backflow.

Set consisting of:  
handle, casing, rosette (round) and diverter valve, suitable for concealed installation unit article no. 59556000170

Essential for installation: Rough part set 59951 002170  
Please order separately!