

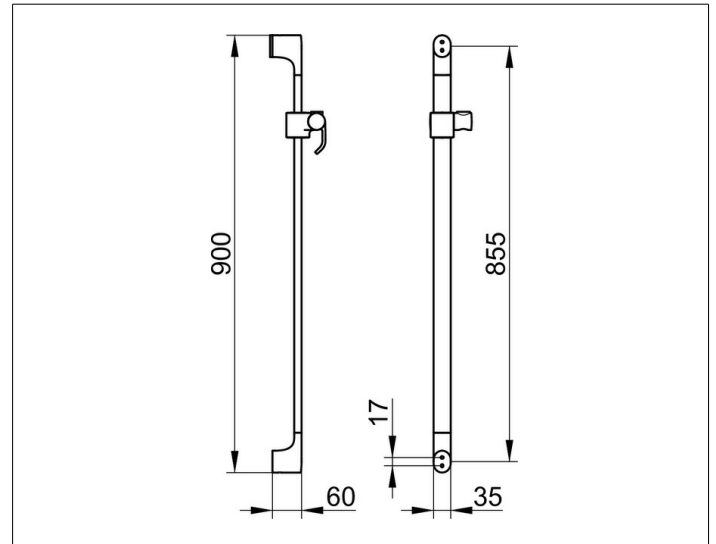
**Edition 400**

**51585010900 Hand shower sliding rail**

**PRODUCT**



**DRAWING**



**PRODUCT ATTRIBUTES**

- consisting of:
- rail and hand-shower bracket
  - height adjustable with handle,
  - with adjustable tilt angle
  - spacer disc (5 mm)

**SURFACE**

chrome-plated

**DIMENSION**

900 mm

**SPECIFICATIONS**

- KEUCO Edition 400 Hand shower sliding rail, 51585010900  
 chrome-plated hand shower sliding rail,  
 sculptural design,  
 wall mounted,  
 consisting of:
- rail and hand-shower bracket, Centre-to-centre 855 mm,
  - total length 900 mm,
  - height adjustable with handle,
  - with adjustable tilt angle,
  - spacer disc (5 mm),
  - depth 60 mm,
- the hand shower sliding rail is fitted concealed,  
 delivery includes anti-corrosion fixings