

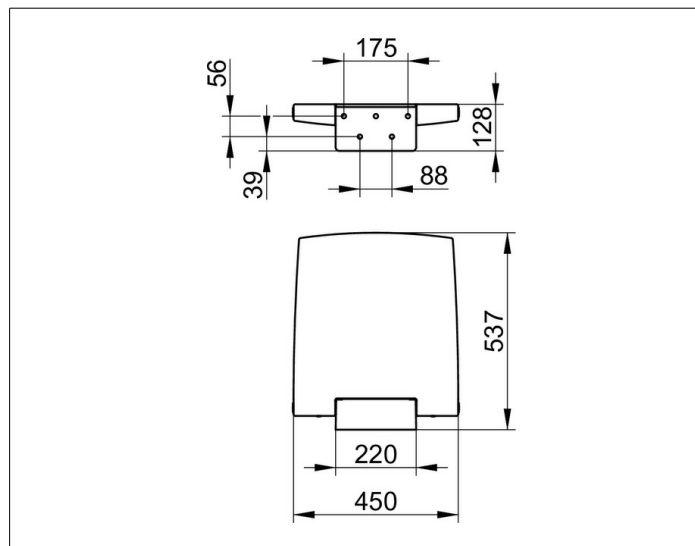
**Plan Care**

**34983170037 Tip-up seat**

**PRODUCT**



**DRAWING**



**PRODUCT ATTRIBUTES**

wall mounted  
tip-up soft seat

**SURFACE**

aluminium lacquered/dark grey (RAL 7021)

**SPECIFICATIONS**

KEUCO PLAN CARE Tip-up seat 34983170037  
dark-grey (RAL 7021) tip-up seat  
made from Polyurethane-foam  
in aesthetic, functional design,  
for wall mounting for safe seats in the shower area  
Wall bracket and aluminium lacquered seat support  
as design element  
anti-static,  
easy Cleaning  
with max. 60% Ethanol- or Propanol solution can be disinfected, other  
disinfectants are not recommended  
fold-up seat up to 150 kg  
Width 450 mm,  
500 mm length of the seat  
Projection 537 mm

The fixing must be ordered separately!

For installation (depending on the anchorage/masonry) is absolutely essential:

2 x Mounting-Set 2 (Catalogue-no. 34992000100) or  
2 x Mounting-Set 5 (Catalogue-no. 34992000200) or  
2 x Mounting-Set 8 (Catalogue-no. 34995000200) or  
1 x Mounting-Set 10 (Catalogue-no. 34997000100)