

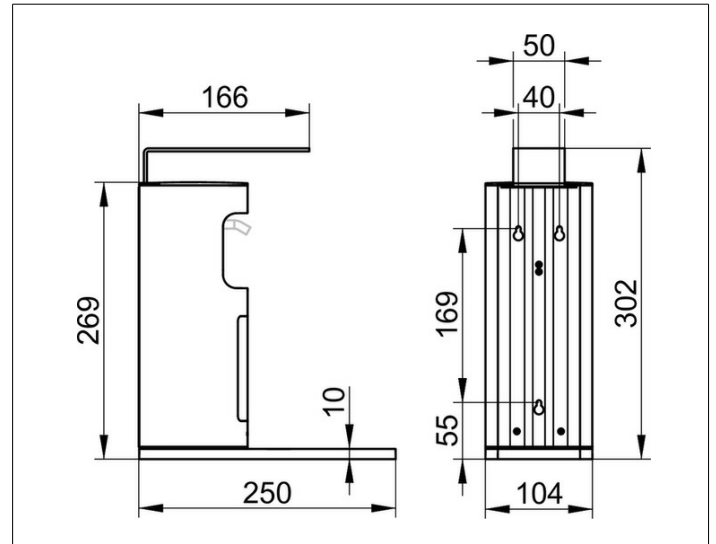
Plan Care

34954370100 Liquid soap/disinfectant dispenser

PRODUCT



DRAWING



PRODUCT ATTRIBUTES

dispenser case for 0,5l Euronorm bottle with integrated pump
(identical e.g. Bode Euronorm bottel 0,5 l Sterilium),
with removable plastic drip tray

SURFACE

black