

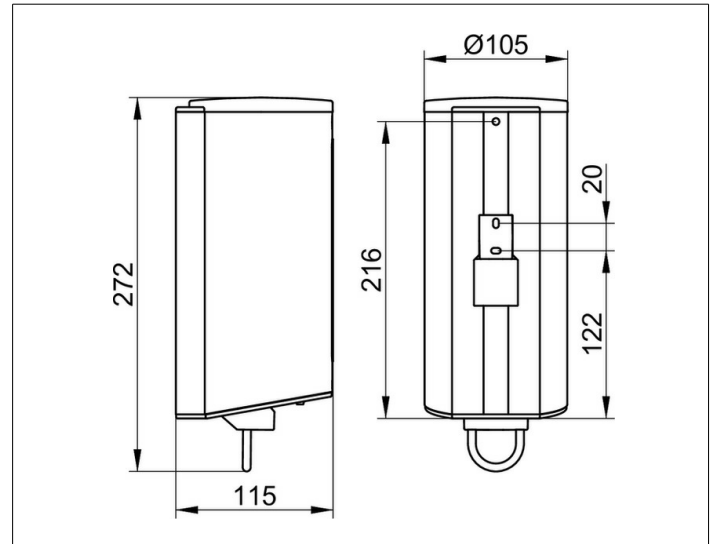
Plan

14954170100 Lotion dispenser

PRODUCT



DRAWING



PRODUCT ATTRIBUTES

with synthetic insert and pump
Capacity: approx. 1,1 l
Dosage: approx. 0,5 ml/stroke

SURFACE

aluminium silver anodized (E6 EV1)

SPECIFICATIONS

KEUCO PLAN lotion dispenser 14954170100, for wall installation (1,1 l)
A classic aluminum silver anodized (E6 EV1) lotion dispenser in a stylish yet functional design
Wall mounted model complete with a removable synthetic insert
For easy cleaning and filling,
Anti-theft device for installation in the public domain,
Capacity: 1,1 l, for standard liquid soap,
Dosage: approx. 2,5 ml/stroke,
Base diameter: 104 mm, height 271 mm,
Projection: 115 mm
The lotion dispenser is fitted with 2 hidden fixing points
incl. corrosion-free mounting material

Essential for installation in shower area: 1 x waterproof lid Art. no. 14954!