

Technische Daten/ Technical Data

KLUDI ZENTA SL
single lever basin mixer 100
DN 15

Ref.:
482930565WR4

Finishes:
05 chrome

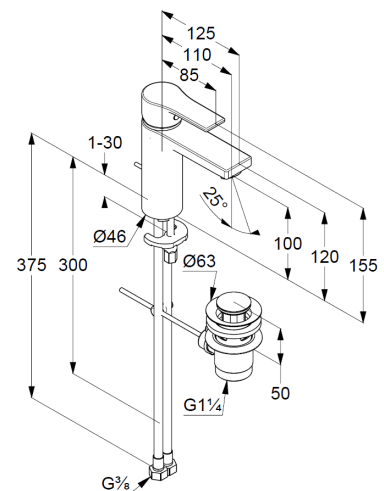
Product description
Manufacturer KLUDI GmbH & Co. KG
Typ: KLUDI ZENTA SL
single lever basin mixer 100
Ref.: 482930565WR4

basin mixer
single lever mixer
1-hole mounted
solid handle, metal
aerator M24 PCA
ceramic cartridge with hot water safety device
middle position cold water
flow rate at 3 bar 3,8 l/min.
flexible hoses G $\frac{3}{8}$ DVGW approved
rapid installation set
pop up waste G1 $\frac{1}{4}$ metal

Produktabbildung/ Product picture



Maßzeichnung/ Dimensional drawing



Durchfluss/ Flow rate

