

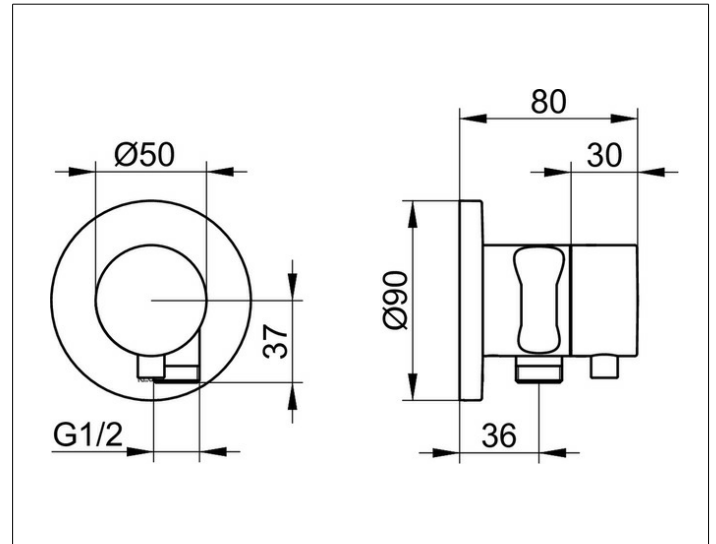
**IXMO**

**59556371201 2-way diverter valve with wall outlet for shower hose and hand shower bracket DN 15**

**PRODUCT**



**DRAWING**



**PRODUCT ATTRIBUTES**

for shower hoses with fitted conical end brackets  
 Set complete with:  
 handle, casing, rosette (round) and diverter valve,  
 intrinsically safe against backflow,  
 suitable for rough part no. 59556 000170

**SURFACE**

black matt

**DIMENSION**

IXMO Comfort, rund