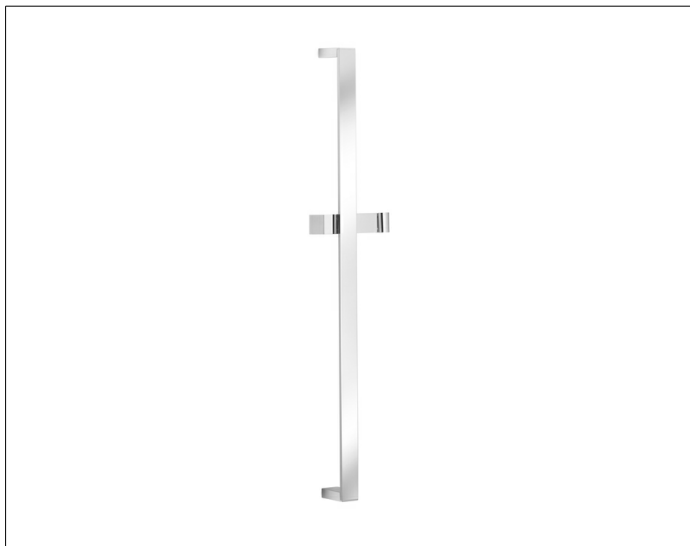


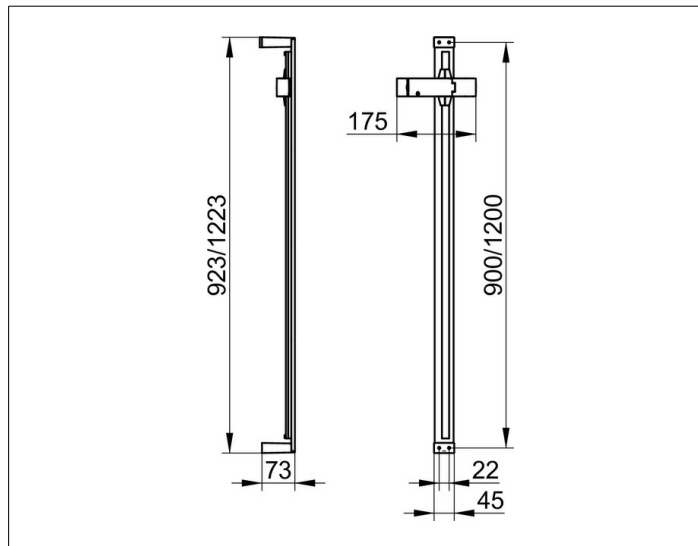
Edition 11

51185050900 Hand shower sliding rail

PRODUCT



DRAWING



PRODUCT ATTRIBUTES

consisting of:
 - rail and hand-shower bracket
 height adjustable with handle, with adjustable tilt angle,
 mountable on the right or left side
 - spacer disc (3/16 inches)

SURFACE

brushed nickel

DIMENSION

900 mm

SPECIFICATIONS

KEUCO EDITION 11 shower rail 51185050900
 brushed nickel shower rail
 in clear-cut design and geometric shapes for wall mounting, consisting of:
 Wall bar with slide shower,
 Wall bar length 35-7/16"
 Overall dimensions 48-1/8"
 Borehole at 35-7/16"
 Radius 2-7/8"
 Height adjustment with handle, infinitely adjustable tilt angle
 with tile balance disc (3/16")
 The shower rail has 4 fixing points
 Comes with corrosion resistant mounting hardware