

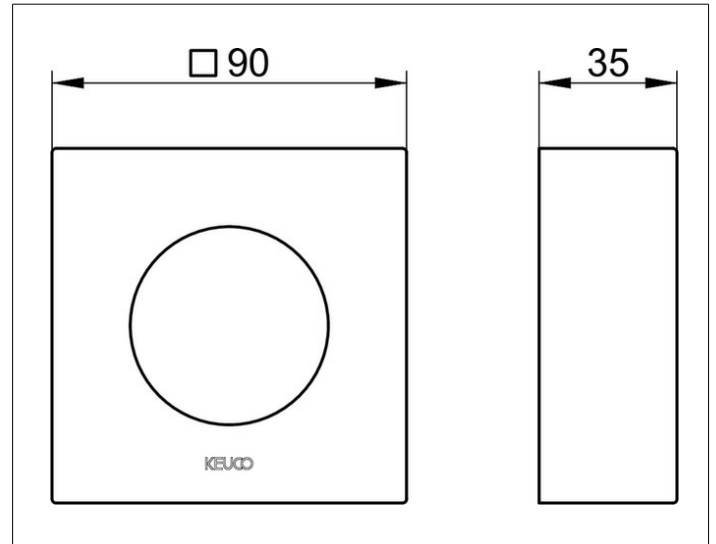
IXMO

59551010282 Extension rosette

PRODUCT



DRAWING



PRODUCT ATTRIBUTES

square, brass,
 for installation between tiles and finish set
 for installation of the stop and diverter valve
 in walls with a low wall thickness,
 installation depth 55 - 80 mm

SURFACE

chrome-plated

DIMENSION

Höhe 25 mm