

Technische Daten/ Technical Data

KLUDI BOZZ
hygiene set
DN 15

Ref.:
389985376

Finishes:
53 matt white

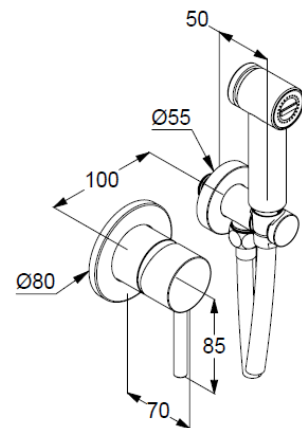
Product description
Manufacturer KLUDI GmbH & Co. KG
Typ: KLUDI BOZZ
hygiene set
Ref.: 389985376

pre-installation set with trim set
vertical wall mounted
solid lever, metal
protected against back flow
shower outlet G $\frac{1}{2}$
ceramic cartridge with hot water safety device
wall supply with shower holder
for shower hoses with conical nuts,
Shattaff with shower hose (metal)
G $\frac{1}{2}$ x G $\frac{1}{2}$ x 1250 mm
1 spray pattern

Produktabbildung/ Product picture



Maßzeichnung/ Dimensional drawing



Durchfluss/ Flow rate

