

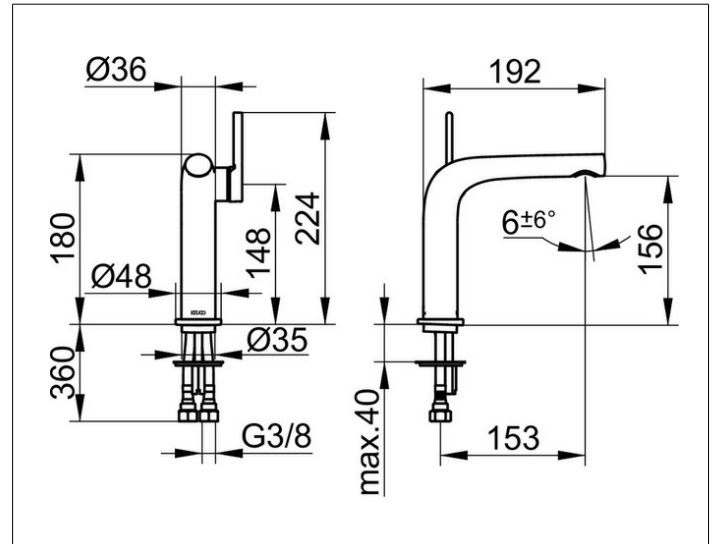
Edition 400

51502010100 Single lever basin mixer 150

PRODUCT



DRAWING



PRODUCT ATTRIBUTES

without pop-up waste,
single hole installation,
cartridge with ceramic discs,
aerator SLIM SSR M 24x1, adjustable,
pressure hoses 435 mm, G 3/8 inch
flow rate reduced to 7,6 l/min.

SURFACE

chrome-plated

SPECIFICATIONS

KEUCO Edition 400 Single lever basin mixer 150, 51502010100
single lever mixer chrome-plated,
sculptural design,
single hole installation, without pop-up waste,
high quality cartridge with ceramic discs,
lever on the side,
single hole installation with quick installation system,
integrated aerator SLIM SSR M 24x1,
adjustable +/-6°,
visible height 180 mm, height outlet 156 mm,
projection 192 mm,
water connection with flexible pressure hoses,
length 435 mm, G 3/8 inch,
flow rate reduced to 7,6 l/min.