

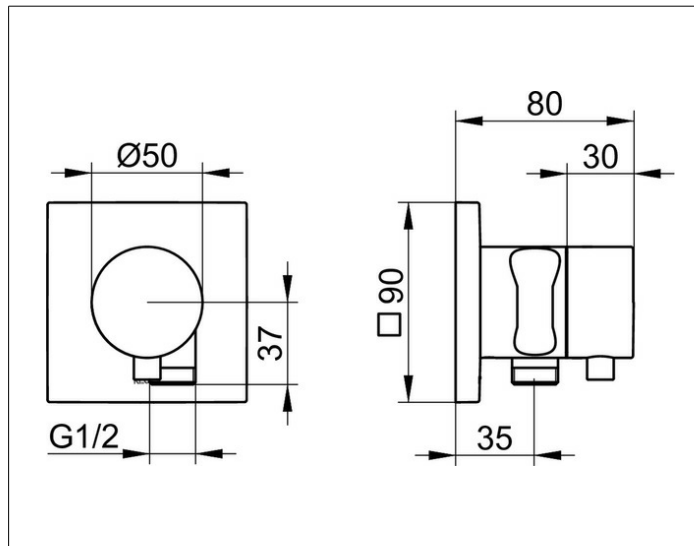
IXMO

59556051202 2-way diverter valve with wall outlet for shower hose and hand shower bracket DN 15

PRODUCT



DRAWING



PRODUCT ATTRIBUTES

for shower hoses with fitted conical end brackets
 Set complete with:
 handle, casing, rosette (square) and diverter valve,
 intrinsically safe against backflow,
 suitable for rough part no. 59556 000170

SURFACE

brushed nickel

DIMENSION

IXMO Comfort, eckig