

Technische Daten/ Technical Data

KLUDI ZENTA SL

concealed thermostatic shower mixer
trim set with functional unit

Ref.: 388853945

Finishes:
39 matt black

Product description

Manufacturer KLUDI GmbH & Co. KG

Typ: KLUDI ZENTA SL

concealed thermostatic shower mixer
trim set with functional unit

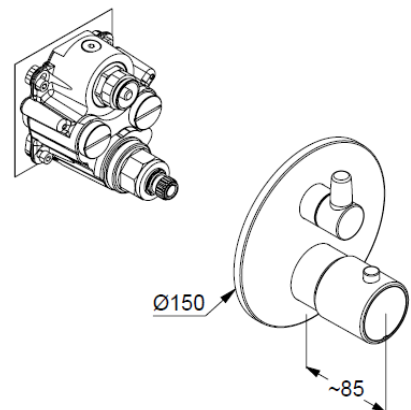
Ref.: 388853945

concealed thermostatic shower mixer
trim set without pre-installation set
pre installation set KLUDI SLIM.BOXX Ref.: 88022
wall mounted
trim set with functional unit
with ceramic shut-off valve 90°/90°
temperature handle with hot water safety at 38°C
flow rate at 3 bar 28 l/min.
with integrated back flow preventer

Produktabbildung/ Product picture



Maßzeichnung/ Dimensional drawing



Durchfluss/ Flow rate

