

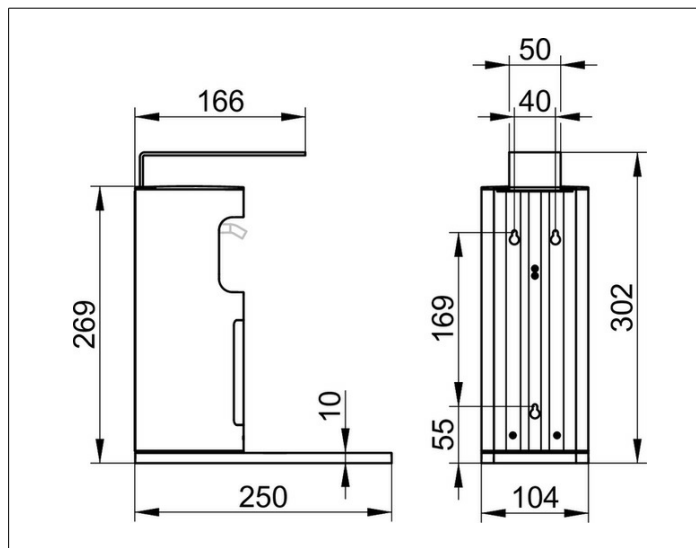
Plan Care

34954170100 Liquid soap/disinfectant dispenser

PRODUCT



DRAWING



PRODUCT ATTRIBUTES

dispenser case for 0,5l Euronorm bottle with integrated pump (identical e.g. Bode Euronorm bottel 0,5l Sterilium), with removable plastic drip tray

SURFACE

aluminium silver anodized (E6 EV1)

SPECIFICATIONS

KEUCO Liquid soap/disinfectant dispenser 34954170100

KEUCO PLAN soap/disinfectant dispenser

Aluminium silver anodized,

in an aesthetic, functional design,

with removable plastic drip tray (anthracite),

for 0,5l Euronorm bottle,

Delivery without Euronorm bottle and pump

Euronorm bottles from different manufacturers can be used in the dispenser.

You can find an overview on our website www.keuco.com

silver anodized outer shell with transparent window panel

The contents, the expiry date and the level of the disinfectant can be quickly read off from the front window panel,

easy changing and cleaning of the Euronorm bottles through frontal removal,

total projection incl. drip tray 250 mm (without drip tray 170 mm),

height 302 mm, width 110 mm

The dispenser is mounted concealed.

delivery incl. corrosion-free fastening material.