

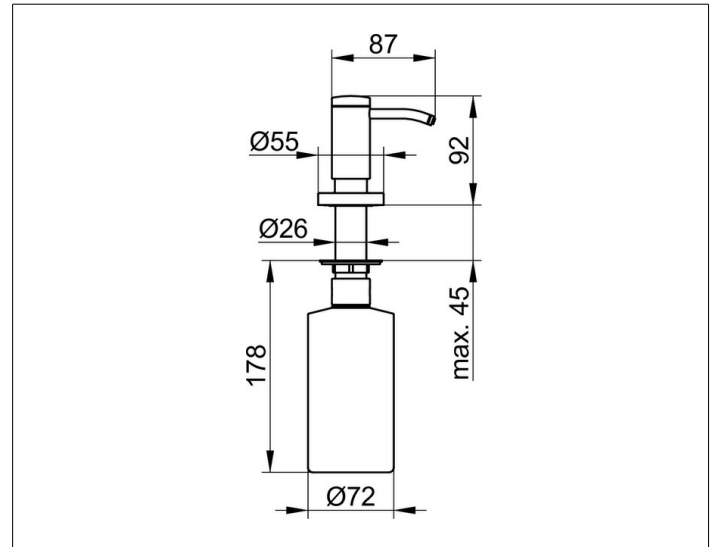
Plan

14949070200 Lotion dispenser

PRODUCT



DRAWING



PRODUCT ATTRIBUTES

for installation in vanity or vanity unit
Capacity: approx. 500 ml
Dosage: approx. 1 ml/stroke

SURFACE

stainless steel

SPECIFICATIONS

KEUCO PLAN lotion dispenser for installation in vanity or vanity unit, 14949070200
Lotion dispenser in high grade stainless steel, in a stylish yet functional design
for installation in wash basins and wash tops up to a thickness of 45 mm complete with a removable inbuilt synthetic dispenser for easy cleaning and filling
Capacity: 500 ml, for standard liquid soap,
Dosage: approx. 0.5 ml/stroke
for installation a borehole of 26,3 mm in the wash basin or wash top is necessary,
this will be covered after installation by a chrome-plated design cover cap,
visible dispenser height: 92 mm, projection: 86 mm
the removable inbuilt synthetic dispenser requires for fitting a clearance height of at least 200 mm