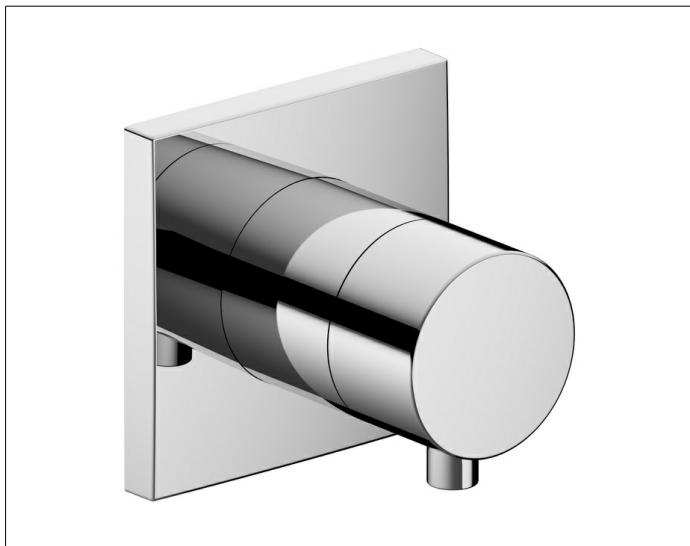


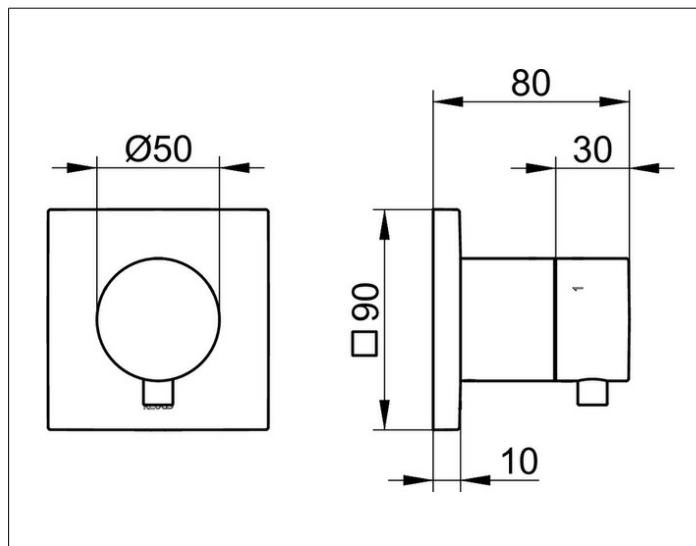
**IXMO**

**59549011002 3-way stop and diverter valve DN 15**

**PRODUCT**



**DRAWING**



**PRODUCT ATTRIBUTES**

Set complete with:  
handle, casing, rosette (square) and stop and diverter valve  
suitable for rough part no. 59548 000070

**SURFACE**

chrome-plated

**SPECIFICATIONS**

KEUCO IXMO 3-way stop and diverter valve DN 15, 59549011002  
3-way stop and diverter valve DN 15 of highgloss chrome-plated brass  
with IXMO handle Comfort and square disc, free positionable,  
integrated installation depth compensation of 80-110 mm,  
with adjustment option for fine assembly  
for lever unit and disc,  
disc 90 x 90 mm, thickness 10 mm,  
total projection 80 mm

Set complete with:  
handle, casing, disc (square) and stop and diverter valve  
suitable for concealed installation unit article no. 59548000070