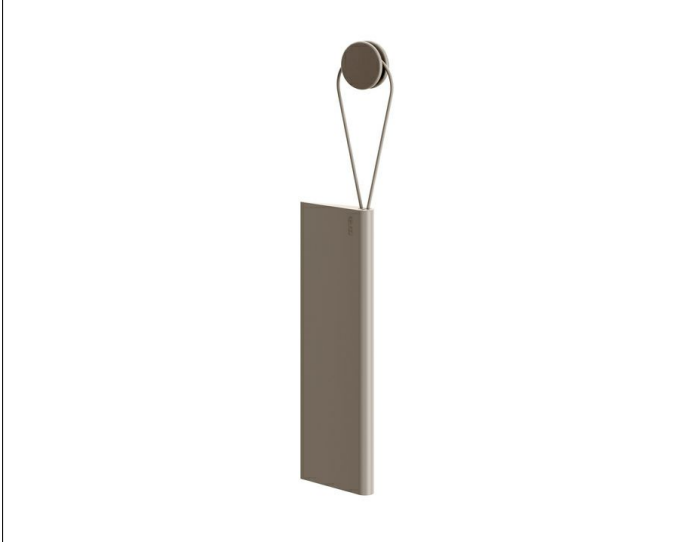


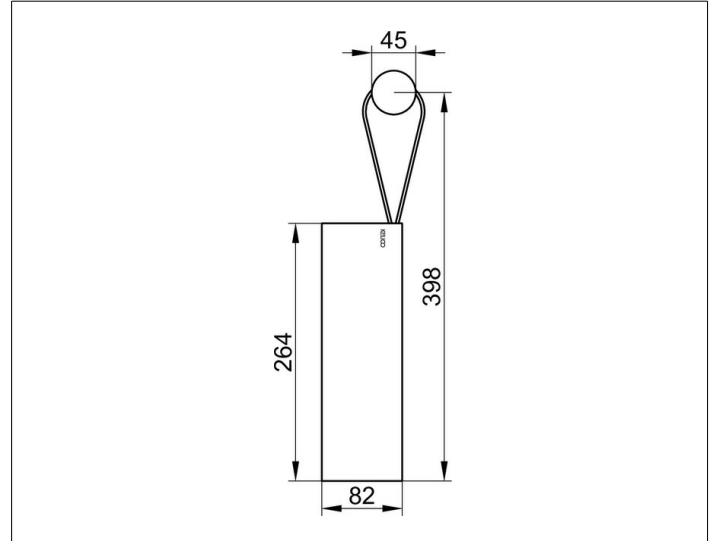
Generic items

04959140000 Glass wiper

PRODUCT



DRAWING



PRODUCT ATTRIBUTES

with stickable wall bracket

2 parts, consisting of:

- adhesive wall mount

- Glass wiper

Material: silicone

SURFACE

truffle (RAL 7006)