

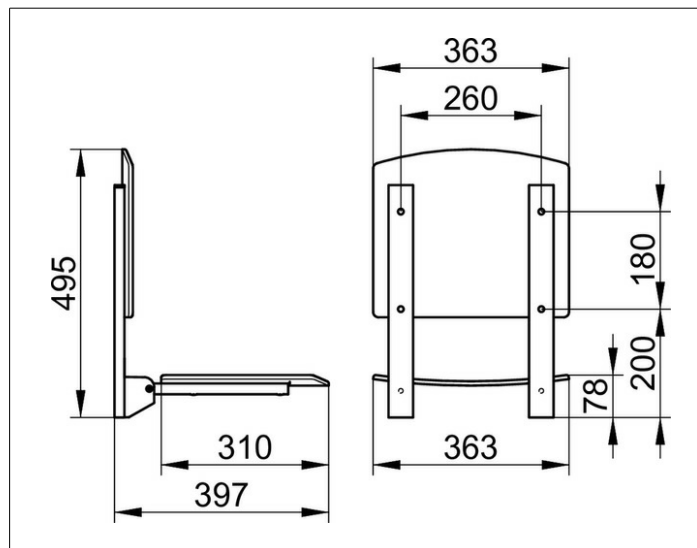
**Plan Care**

**34982170037 Tip-up seat**

**PRODUCT**



**DRAWING**



**PRODUCT ATTRIBUTES**

tip-up, wall mounted  
removable back rest for cleaning

**SURFACE**

aluminium silver anodized (E6 EV1)/dark grey (RAL 7021)

**SPECIFICATIONS**

KEUCO PLAN CARE tip-up seat 334982170037  
tip-up seat in dark-grey (RAL 7021)  
made from polypropylene  
in esthetic, practical design, to be mounted on the wall for  
safe seating arrangement in the shower  
wall and seat support aluminium silver-anodized as a design feature  
anti-static, easy to clean  
to tilt upwards, seat can carry weight up to 110 kg  
width 363 mm, length of area 310 mm

It is essential for installation to order the correct  
Screws/bolts depending on type of wall:  
2 x mounting-set 2 (cat-no 34991000100) or  
2 x mounting-set 5 (cat-no 34991000200) or  
2 x mounting-set 8 (cat-no 349994000200)  
1 x mounting-set 10 (cat-no 34996000100)

Please order separately!