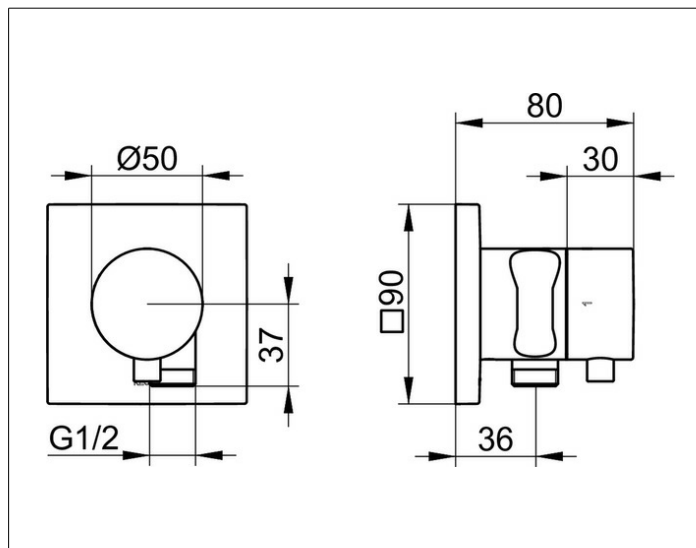


IXMO
59549011202 3-way stop and diverter valve with wall outlet for shower hose and hand shower bracket DN 15

PRODUCT



DRAWING



PRODUCT ATTRIBUTES

for shower hoses with fitted conical end brackets
 Set complete with:
 handle, casing, rosette (square) and stop and diverter valve
 intrinsically safe against backflow,
 suitable for rough part no. 59548 000170

SURFACE

chrome-plated

DIMENSION

IXMO Comfort, eckig

SPECIFICATIONS

KEUCO IXMO 3-way stop and diverter valve
 with wall outlet for shower hose and shower holder UP DN15, 59549011202
 3-way stop and diverter valve of highgloss chrome-plated brass
 with IXMO handle Comfort and valve with wall outlet for shower hose and
 integrated shower holder,
 free positionable,
 integrated installation depth compensation of 80-110 mm,
 with adjustment option for fine assembly
 for lever unit and disc,
 with square decorative disc, valve with wall outlet for shower hose G 1/2
 inch,
 for hoses with conical nuts,
 e.g. KEUCO Shower hose 54995...,
 disc 90 x 90 mm, thickness 10 mm,
 total projection 80 mm,
 the valve with wall outlet for shower hose is intrinsically safe against
 backflow, DIN EN 1717
 All inlets planned below the water inlet line
 must be checked and, if necessary, according to DIN 1988 secure against
 backflow.

Set complete with:
 handle, outer shell, disc (square) and stop and diverter valve
 suitable for concealed installation unit article no. 59548000170