

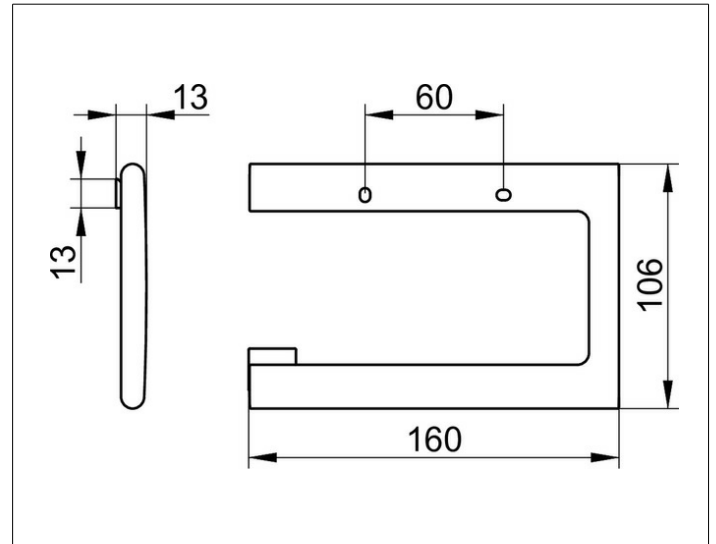
Edition 400

11562030000 Toilet paper holder

PRODUCT



DRAWING



PRODUCT ATTRIBUTES

open form
for 100/120 mm wide paper rolls

SURFACE

brushed bronze

SPECIFICATIONS

KEUCO Edition 400 Toilet paper holder, 11562030000
brushed bronze toilet paper holder,
sculptural design,
easy to clean, wall-mounted,
with concealed bearing,
open form, for 3-15/16" / 4-3/4" wide paper rolls,
width 6-5/16", height 4-3/16", depth 1/2",
the toilet paper holder is fitted concealed,
delivery included anti-corrosion fixings