

Technische Daten/ Technical Data

KLUDI LOGO
THERMOSTAT DUAL SHOWER SYSTEM
DN 15

Ref.:
6808239-00

Finishes:
39 black matt finished

Product description
Manufacturer KLUDI GmbH & Co. KG
Typ: KLUDI LOGO
THERMOSTAT DUAL SHOWER SYSTEM DN 15
Ref.: 6808239-00

thermostatic shower mixer DN 15
wall mounted
with ceramic shut-off valve 90°/ 90°
temperature handle with hotwater safety at 38°C
shower outlet 1/2 inch
protected against back flow
with integrated back flow preventer
S-unions G 1/2 x 3/4
with dirt-catcher sieve
With fixing material
height-adjustable hand shower holder

hand shower 3 S
3 spray pattern
Volumen/ booster/ smoth
with cleaning system
connection 1/2"
sieve seal

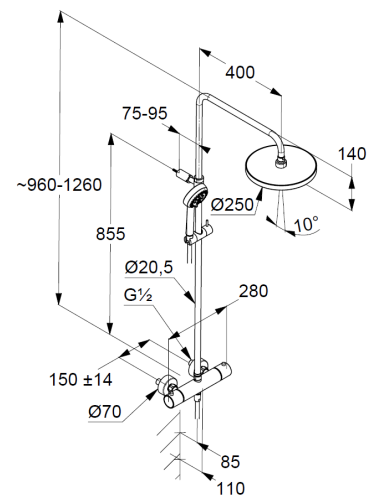
Shower hose
plastic coated
with conical nuts
G 1/2 x G 1/2 x 1600 mm

head shower 1 S
Ø 250 mm
1 spray pattern
with cleaning system
connection 1/2"
with ball joint
sieve seal

Produktabbildung/ Product picture



Maßzeichnung/ Dimensional drawing



Durchfluss/ Flow rate

