

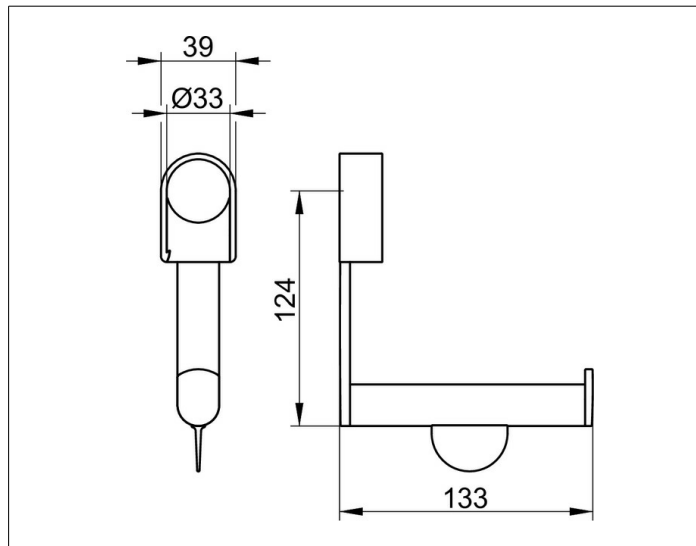
Plan Care

34962170000 Toilet paper holder

PRODUCT



DRAWING



PRODUCT ATTRIBUTES

for mounting on rail system

SURFACE

aluminium silver anodized/chrome-plated

SPECIFICATIONS

KEUCO PLAN Toilet paper holder, 34962010000,
Aluminium silver anodized/chrome-plated
for mounting on an angle bar

May be combined with angle bar
(Art. no. 34906)
Please order separately!