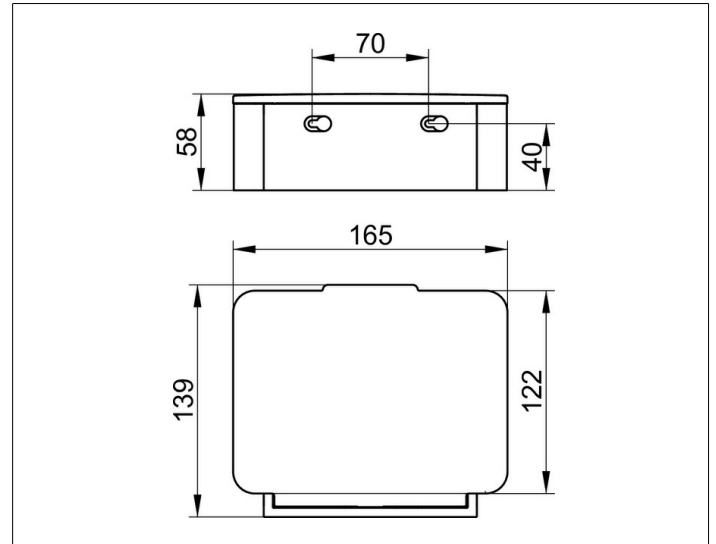


Plan
14967010001 Moist tissue box

PRODUCT



DRAWING



PRODUCT ATTRIBUTES

with cover and housing made of metal,
 with detachable synthetic insert box (light grey),
 for maximum packing size 145 x 102 x 43 mm

SURFACE

chrome-plated

NOTE

SPECIFICATIONS

KEUCO PLAN Moist tissue box, 14967010001
 with highgloss chrome-plated cover and housing made of metal,
 with detachable synthetic insert box (light grey), (RAL 7035),
 in an aesthetic, functional design, rounded corners,
 wall model, easy to clean,
 Height 58 mm, Width 165 mm, projection 139 mm,
 for maximum packing size 145 mm x 102 mm x 43 mm,
 The moist tissue box is mounted concealed,
 delivery incl. corrosion-free fastening material