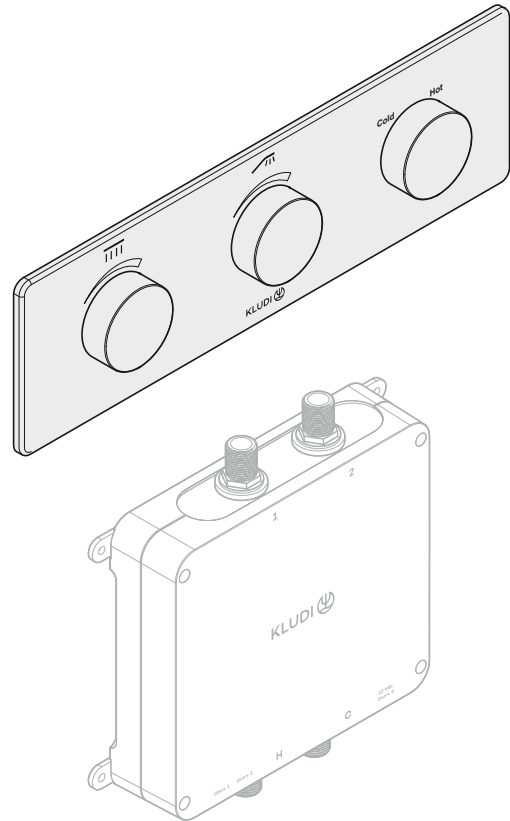


- Ⓓ Montage- und Bedienanleitung
- ⒸⓃ 安裝及操作指南
- ⒸⓏ Návod k instalaci a k použití
- Ⓔ Instrucciones de montaje y de manejo
- Ⓕ Instructions de montage et mode d'emploi
- ⒼⒷ Installation and operating instructions**
- ⒼⓇ ΟΔΗΓΙΕΣ ΕΓΚΑΤΑΣΤΑΣΗΣ ΚΑΙ ΣΥΝΤΗΡΗΣΗΣ
- ⒻⒽ Szerelési és használati utasítás
- ⒻⒾ Istruzioni di montaggio e per l'uso
- ⒼⓃⒻ Montagehandleiding en Gebruiksaanwijzing
- ⒼⓃⒻ Instrukcja montażu i obsługi
- ⒼⓇⓞ Instrucțiuni de montaj și utilizare
- ⒼⓇⓞⓢ Руководство по монтажу и эксплуатации
- ⒼⓇⓀ Návod na montáž a obsluhu



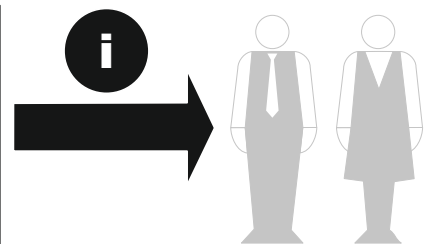
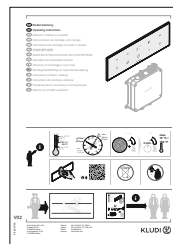
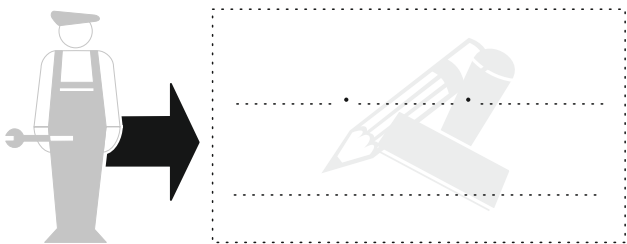
- Ⓓ Weitere Sprachen finden Sie hier.
- ⒸⓃ 您可以在這裡找到其他語言。
- ⒸⓏ Další jazyky najdete zde.
- Ⓔ Puedes encontrar otros idiomas aquí.
- Ⓕ Vous pouvez trouver d'autres langues ici.
- ⒼⒷ You can find other languages here.**
- ⒼⓇ Μπορείτε να βρείτε άλλες γλώσσες εδώ.
- ⒻⒽ Itt találhat más nyelveket is.
- ⒻⒾ Puoi trovare altre lingue qui.
- ⒼⓃⒻ Andere talen vindt u hier.
- ⒼⓃⒻ Inne języki znajdziesz tutaj.
- ⒼⓇⓞ Pute i găsi alte limbi aici.
- ⒼⓇⓞⓢ Здесь вы можете найти другие языки.
- ⒼⓇⓀ Ďalšie jazyky nájdete tu.





| | | |
|--|---|--|
| <p>°C / °F</p> <p>max. 65 °C / 149 °F</p> <p>✓ 60 °C / 140 °F</p> <p>min. 5 °C / 41 °F</p> | <p>✓ 3 bar / 43,5 psi</p> <p>min. 1 bar / 14,5 psi</p> <p>max. 6 bar / 87 psi</p> | <p>3 min.</p> <p>max. 70 °C / 158 °F</p> |
|--|---|--|

| | | | |
|--|--|--|--|
| | | | |
|--|--|--|--|



PushTronic

Table of contents

4 - Safety

5 - Initial Start-up

6 - Operation

7 - Pause mode

Consumer

8 - Summer mode

S-Flow

9 - APP coupling

Instructions for pairing the KLUDI device with a smartphone

11 - General information

Navigation

Structure of the display and control elements of the APP

13 - Main menu

Device selection

14 - User selection

15 - Alarms

16 - Warm-Up

17 - Experiences

Child safe shower

18 - My sequence

19 - Bath fill mode

20 - Maintenance - Anti-legionella flushing

21 - Maintenance - Cleaning

22 - Device settings

23 - Statistics

Settings

24 - Annex

Problems

KLUDI has the right to change these and the following conditions at any time.

Safety instructions

Due to the combination of control unit (PushTronic) and APP hazards are not always clear or immediately recognisable. Therefore proceed with caution and in accordance with the operating instructions. Children and physically, mentally or sensory impaired persons must be instructed or supervised.



DANGER due to misuse!

PushTronic is not intended for operation by children or persons with limited abilities unless they are supervised or secured in accordance with the operating instructions.



DANGER OF BURNING due to hot surfaces!

Consumers controlled by the PushTronic may have hot surfaces even after operation has ended.

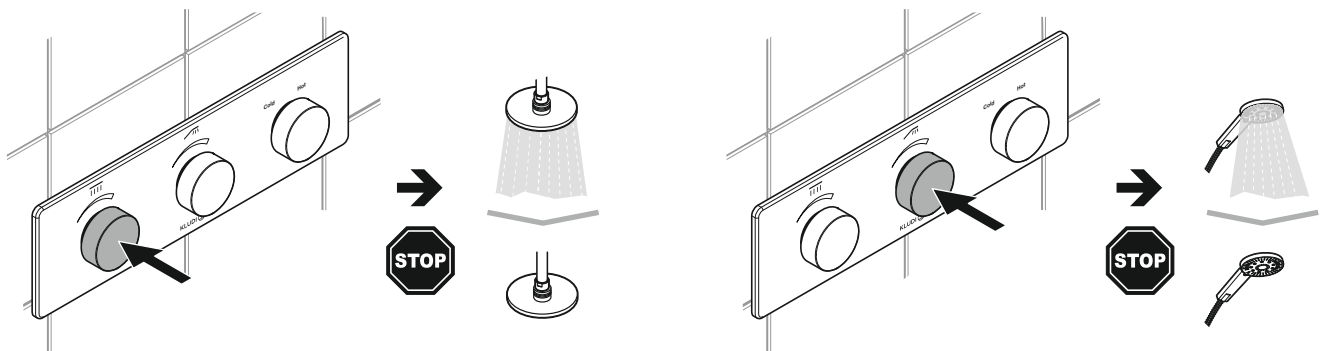


DANGER OF SCORCHING from hot water!

Consumers controlled by the TouchTronic can contain hot water even after the end of operation.

Emergency stop

In the event of danger, the water supply to all outlets can be stopped without delay by pressing the associated rotary knob.



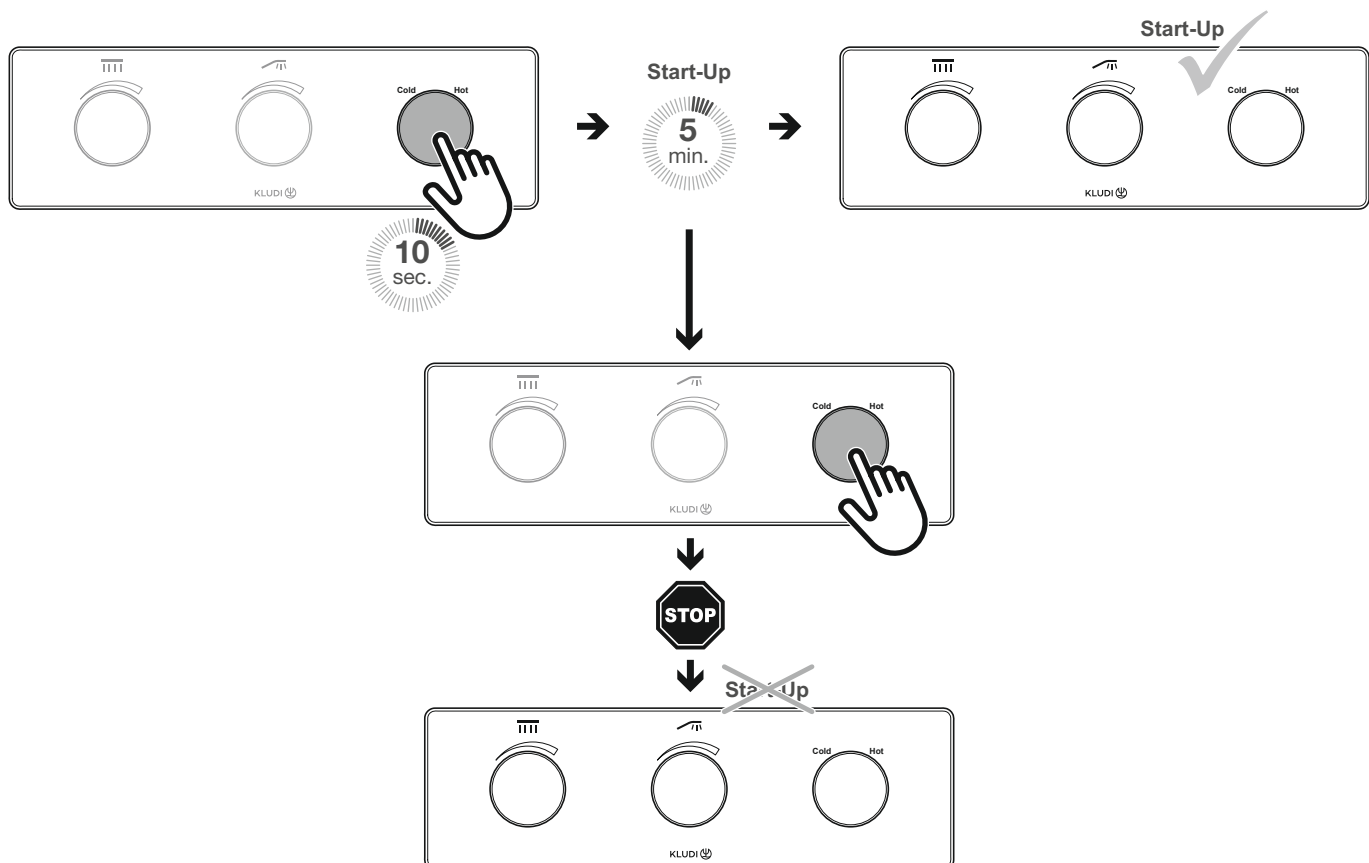
- i** If the power supply fails, the valves close automatically and stop the flow of water.

PushTronic

Initial start-up

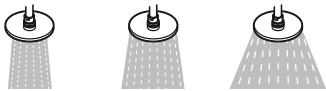
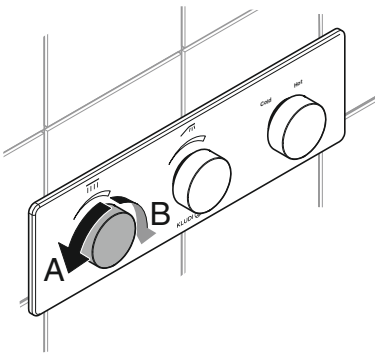
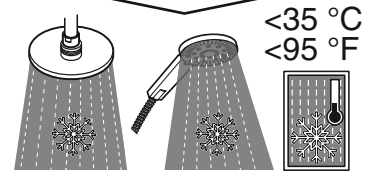
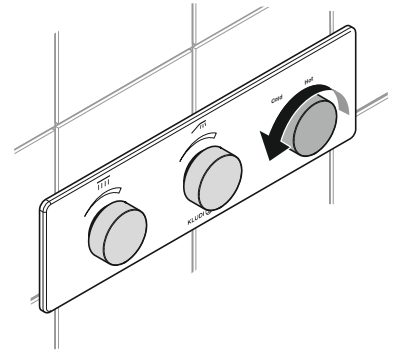
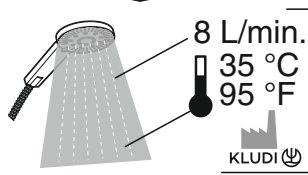
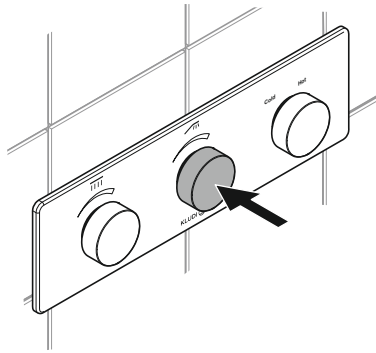
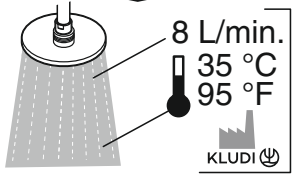
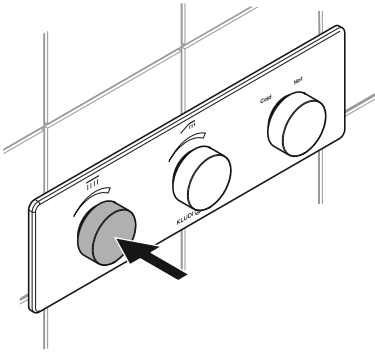
Start-up

- ⚠ **Must be carried out before the first application (please speak to your installer). All intended consumers must be connected for this.**
- ⚠ **Caution! During this process, hot water flows through all consumers to flush and set up the pipes! There is a risk of scalding!**
- ⚠ **Caution! Pay attention to the alignment of the consumers, especially the hand shower, as otherwise water damage may occur.**

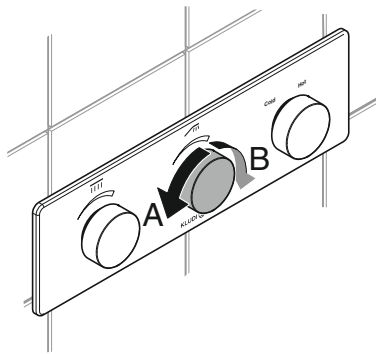


- ⚠ **If a consumer is replaced, a start-up must always be carried out.**

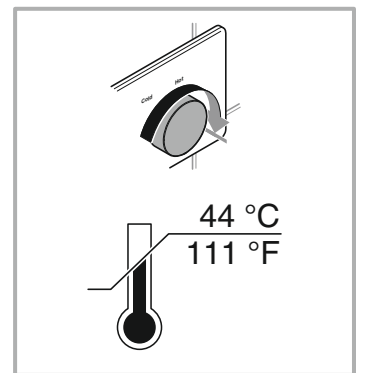
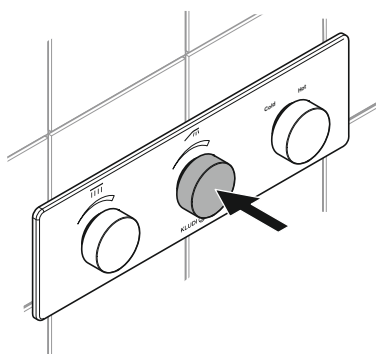
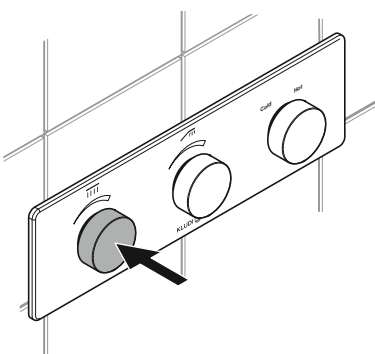
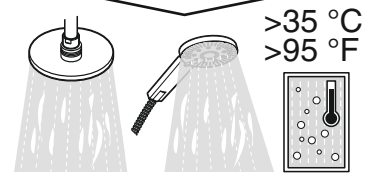
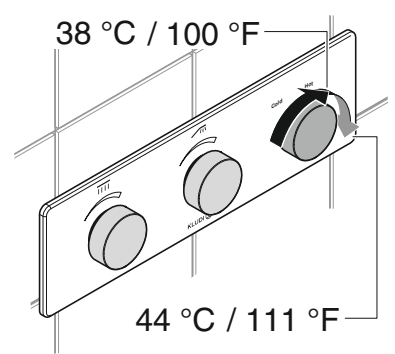
PushTronic Operation



A



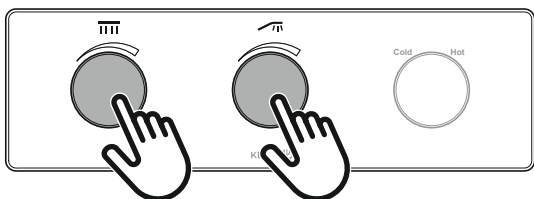
B



PushTronic

Operation

Pause Mode



During the shower process, you can switch to pause mode by pressing the associated rotary knob.

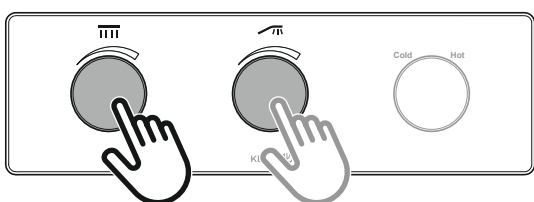
To continue showering, tap the corresponding knob again.

i If a shower process (warm-up, child safe shower, bath filling, etc.) is started via the S-FLOW APP, the mixer switches to pause mode after preparation and you can start the shower process via pressing the left rotary knob.

The preset shower time is 10 minutes. After this time, the mixer automatically switches to pause mode. After a further 3 minutes, the mixer switches to the stand-by mode.

These preset times can be set individually for the user (1-3) (see chapter S-FLOW APP).

Consumer



Example:

Up to two consumers can be controlled at same time.

To run a second consumer in parallel, press the corresponding rotary knob. To switch the consumer off again, press the according knob you want to turn off.

You can also save two consumers in your individual user profiles for the warm-up. This is also possible via the S-FLOW APP (see chapter S-FLOW APP).

PushTronic Summer mode

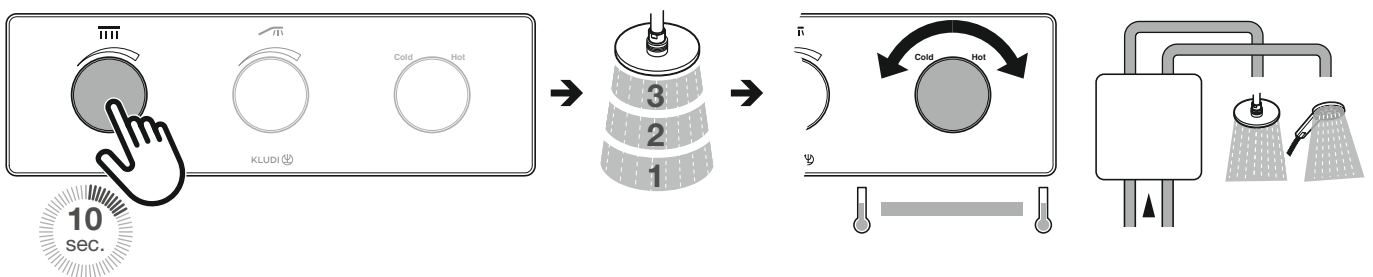
Summer mode (not for EU countries!)

Summer mode requires that the hot and cold water supplies have a similar or the same flow temperature. Only then should the summer mode be activated.

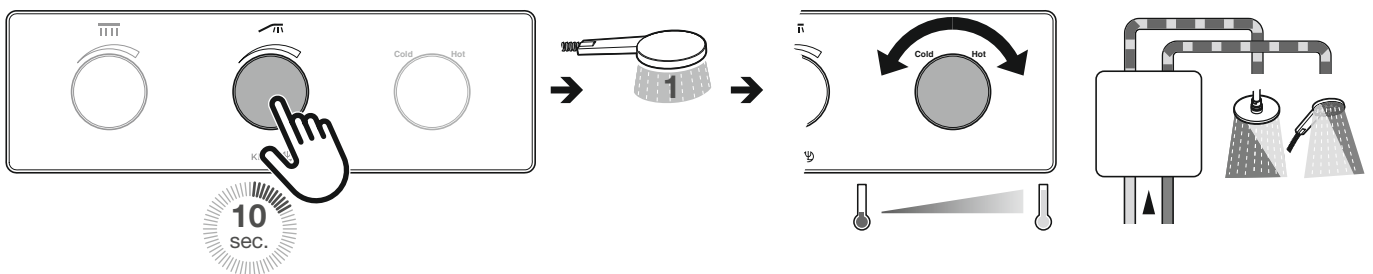
The water temperature cannot be adjusted in this mode. The water temperature is the temperature that flows out of the pipes.

Please contact customer service if you have any questions.

Activate summer mode



Deactivate summer mode



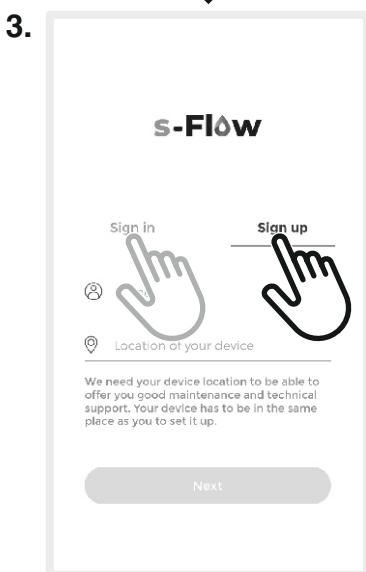
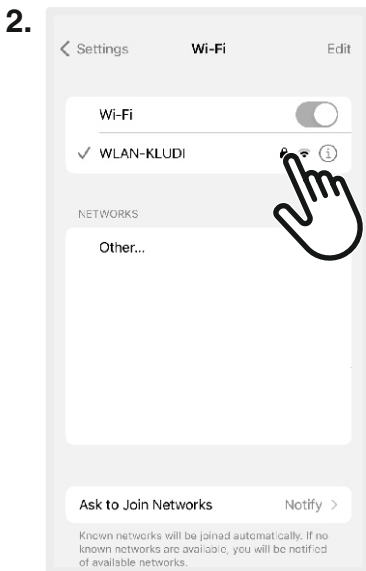
S-FLOW

APP coupling

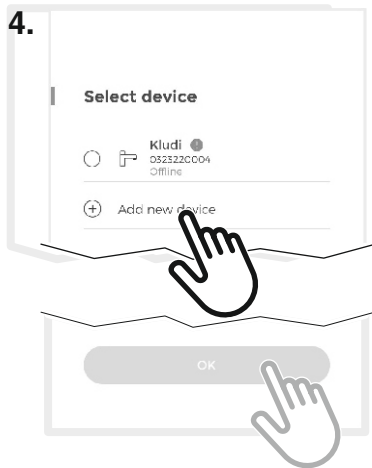
APP coupling

Instructions for pairing the KLUDI device with a smartphone

1.    Download the **S-FLOW APP** from Google Play or the APP Store.



S-FLOW APP coupling

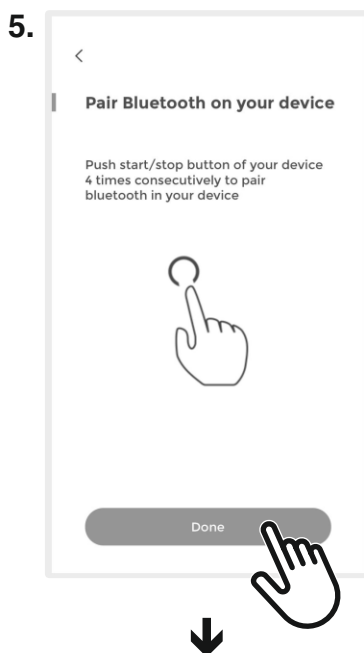


Click on "**Add new device**" to connect.

If a device is already registered, select it and press "**OK**".

Confirm the Wi-Fi network you want to use to connect the device and press "**OK**".

If it is the wrong Wi-Fi, press "**NO**" and select the correct network as described in step 2.



Enter the Wi-Fi password and press "**Done**".

Follow the instructions on the screen to activate Bluetooth on the device.

Start and end the showering process by pressing the left rotary knob 4 times.



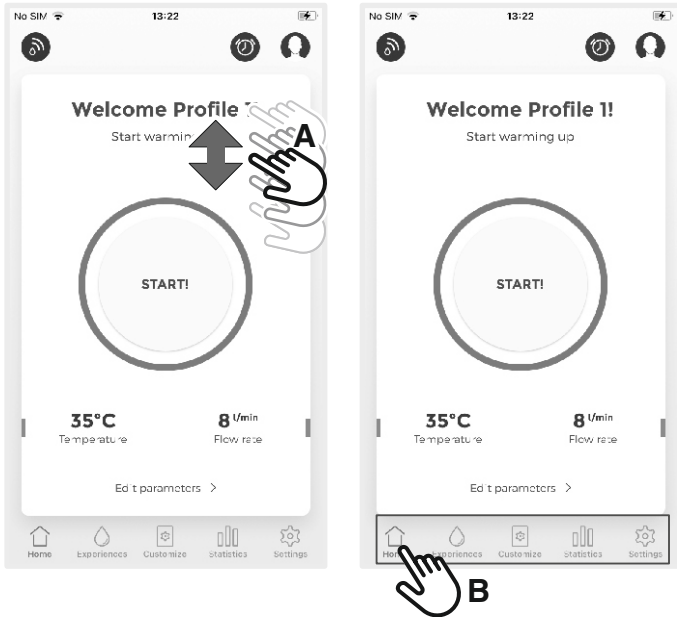
Press "**Done**" to continue.

i If the device is not listed, repeat the above procedure. Alternatively, either disconnect the power supply or reconnect the WiFi module.

S-FLOW

General information

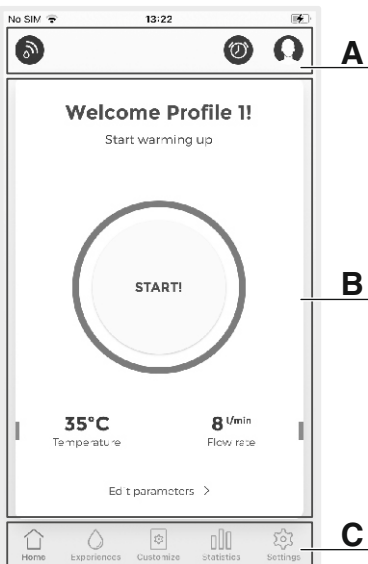
Navigation



You can select the APP menus by swiping (A) in the display or by pressing (B) on the pictograms.

Structure of the display and control elements of the APP

- ⊕ Add value or setting
- ■ ■ Opens submenu for changing parameters



Area **A** shows menu-related display and control elements:

- 📶 Connection to a device active,
Call up device selection,
Terminate connection.
- 🕒 Alarm active,
Select alarm setting.
- 👤 Select user
- ✕ Close window/menu
- ⏪ Back to the previous window/menu

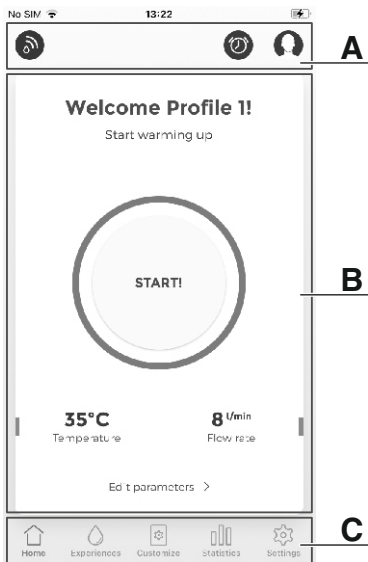
Next Continue to the next window/menu

Save Save setting


Main window **B** shows menu-related information, possible selections, input masks and control elements.


S-FLOW


General information





Area **C** shows the main features of the APP and the current selection. Here, you can also select the main features directly.

-  Main menu
 - Device and user selection
 - Alarm
 - Warm-up

-  Experiences, user settings
 - Child save shower (temperature...)
 - My shower sequence
 - Bath fill mode
 - Maintenance (cleaning programmes)

-  Device settings
 - Maximum water temperature
 - Maximum water flow rate
 - Pause time
 - Automatic switch-off

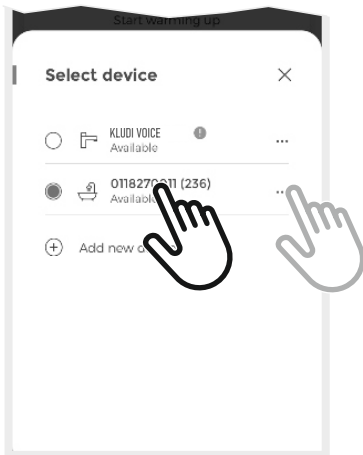
-  Statistics, data and consumption

-  APP settings
 - Password
 - Terms and conditions
 - Privacy policy of the APP
 - APP version
 - Logout

Main menu → Device selection

Main menu

Device selection



☞ Select different devices (showers and/or mixers) that are connected to the same APP user.

➔ The device is selected.

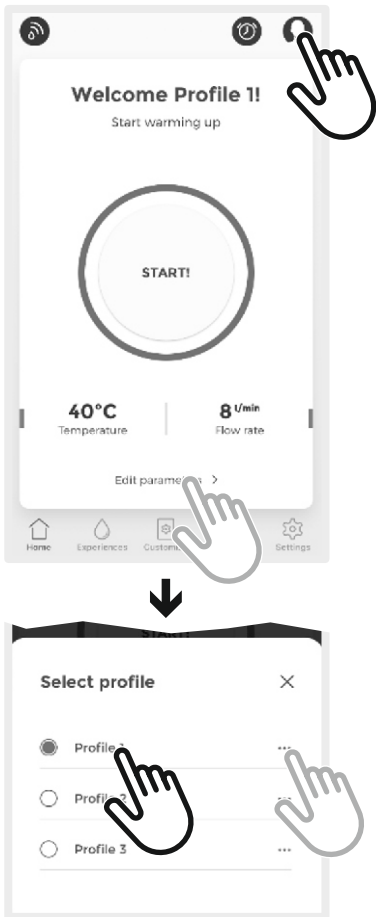
☞ To rename the device, click on the three small dots. Now change the name of your device and press "**Save**" in the top right-hand corner.

ⓘ Here it is also possible to disconnect the device by clicking on "**Disconnect device**" at the bottom.

Attention! If the device is not connected to the APP, no settings can be made on the product.

Main menu → User selection

User selection



i The user can select 3 different profiles in the APP and name them individually.

👉 Press **⏸** to switch or change the user profile.

👉 To change the parameters of the user profile, click on "**Edit parameters**".

➔ The selection window appears.

👉 Select a user profile.

➔ The user profile is selected.

👉 To rename the user profile, click on the three small dots. Now change the name of the user and press "**Save**" in the top right-hand corner.

S-FLOW

Main menu → Warm-up

Warm-Up

⚠ **Caution!** Pay attention to the alignment of the consumers, especially the hand shower, as otherwise water damage may occur.

⚠ **Caution!** Check that the shower is clear (no persons or objects).

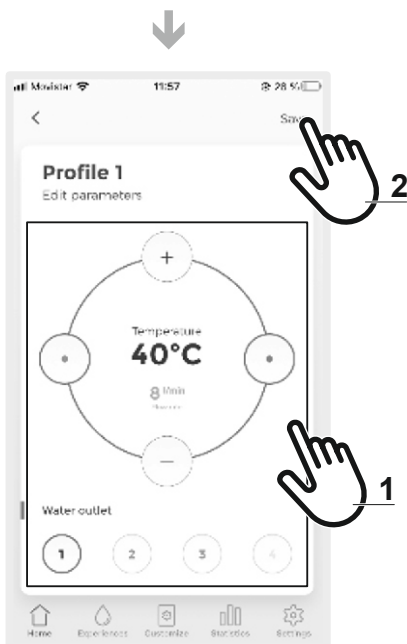


👉 Press "**START!**" to start the warm-up process for the selected user.

➔ The warm-up process starts with the default settings for the selected user.

As soon as the warm-up process has been completed, the display switches to pause mode. To start the shower press the left rotary knob on the mixer.

👉 To change the default settings, press "**Edit parameters**".



➔ The programming window appears.

👉 Now programme the parameters for the warm-up and press "Save" in the top right-hand corner.

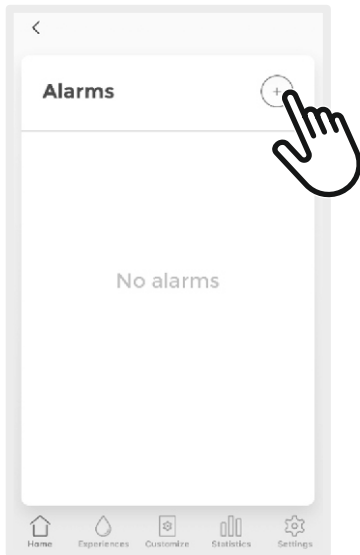
➔ The change has been saved.

ⓘ The process can be cancelled via "CANCEL" in the S-FLOW APP or by pressing the left rotary knob on the mixer.

S-FLOW

Main menu → Alarms

Alarms

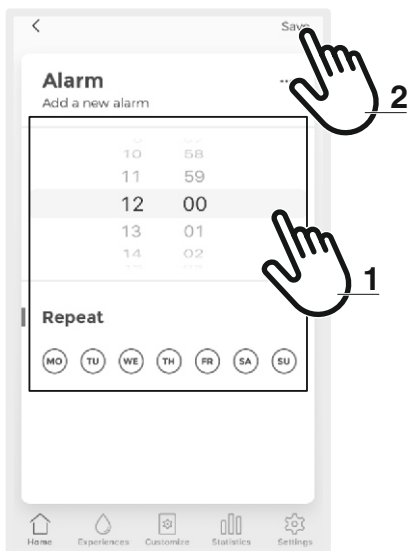


- i** The user can programme different alarms (alarm clocks).

Once an alarm has been triggered, the user has three options:

- Move alarm,
- Start/stop warm-up or
- Deactivate alarm.

- h** Press "+" to programme, change or delete an alarm.



- ➔ The programming window appears.

- h** Now programme the alarm and press "**Save**" in the top right-hand corner.

- ➔ The change has been saved.

S-FLOW

Experiences → Child safe shower

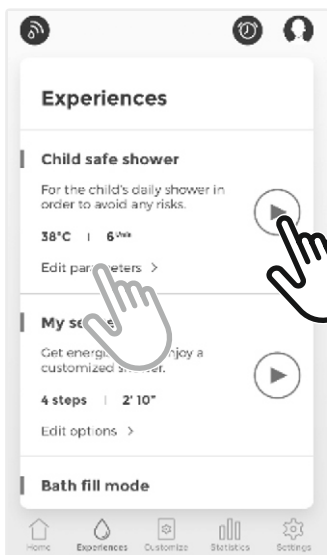
Experiences

The **S-Flow** APP allows the user to activate and programme various shower and bath modes.

Child safe shower

⚠ Caution! Pay attention to the alignment of the consumers, especially the hand shower, as otherwise water damage may occur.

⚠ Caution! Check that the shower is clear (no persons or objects).



i This setting prevents the parameters preset here (temperature, flow rate, outlet) from being changed via the control unit (e.g. PushTronic).

👉 Press ▶ to start the warm-up process directly.
As soon as the warm-up process has been completed, the display switches to pause mode.

To start the shower, press the left rotary knob on the mixer.

👉 To change the default settings, press **"Edit parameters"**.

➔ The programming window appears.

👉 Now programme the setting points for temperature, flow rate and outlet individually for the selected user and press **"Save"** in the top right-hand corner.

➔ The change has been saved.

i The process can be cancelled via **"CANCEL"** in the S-FLOW APP or by pressing the left rotary knob on the mixer.



S-FLOW

Experiences → My sequence

My sequence

⚠ Caution! Pay attention to the alignment of the consumers, especially the hand shower, as otherwise water damage may occur.

⚠ Caution! Check that the shower is clear (no persons or objects

i This setting allows the user to preset a specific sequence:

- Individually for each user.
- With a predefined number of steps.
- With values assigned to the step ..(temperature, flow rate, outlet).

👉 Press ▶ to start the process directly.
As soon as the warm-up process has been completed, the display switches to pause mode. To start the shower, press the left rotary knob on the mixer.

👉 To change the default settings, press "**Edit options**".

➔ The "**Device Steps**" programming window appears.

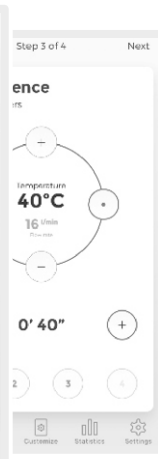
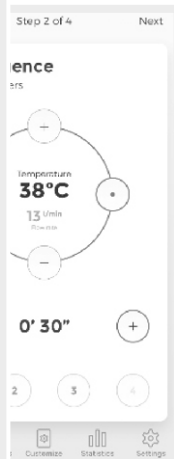
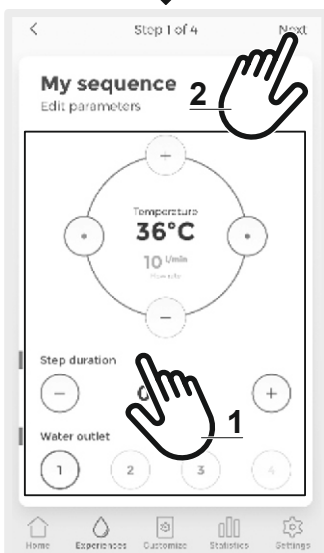
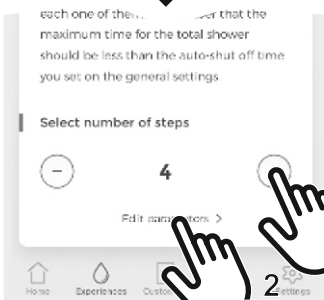
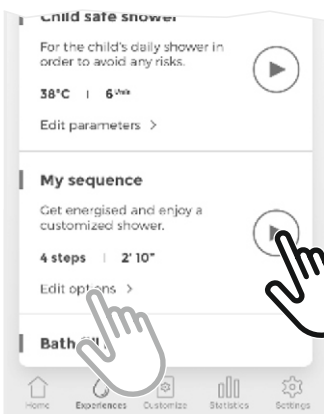
👉 Now programme the number of steps for the selected user and press "**Edit parameters**".

➔ The "**Edit parameters**" programming window appears.

👉 Now programme the parameters for step 1 and press "**Next**" in the top right-hand corner.
Repeat the programming for all subsequent steps and press "**Save**" in the top right-hand corner.

➔ The change has been saved.

i The process can be cancelled via "CANCEL" in the S-FLOW APP or by pressing the left rotary knob on the mixer.



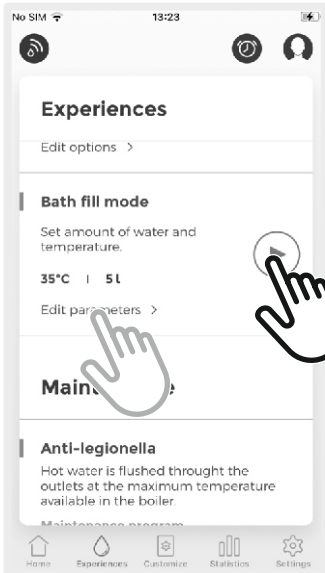
S-FLOW

Experiences → Bath filling

Bath fill mode

⚠ Caution! Pay attention to the alignment of the consumers, especially the hand shower, as otherwise water damage may occur.

⚠ Caution! Check that the shower is clear (no persons or objects).

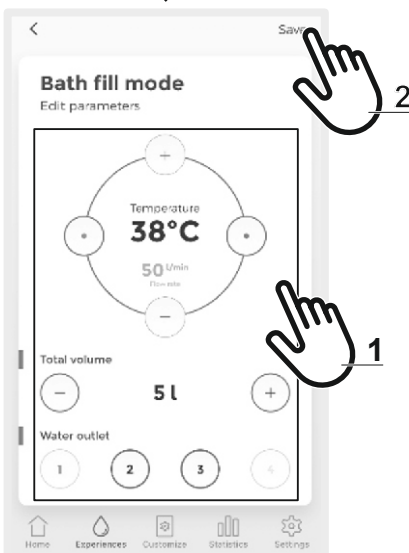


i This setting allows the user to preset the filling volume and temperature of the Bath fill mode.

👉 Press ▶ to start the process directly.

As soon as the warm-up process has been completed, the display switches to pause mode. To start the shower, press the left rotary knob on the mixer.

👉 To change the default settings, press "Edit parameters".



➔ The programming window appears.

⚠ Do not exceed the maximum filling volume of the bathtub!

👉 Now programme the parameters for the Bath fill mode and press "Save" in the top right-hand corner.

➔ The change has been saved.

i The process can be cancelled via "CANCEL" in the S-FLOW APP or by pressing the left rotary knob on the mixer.

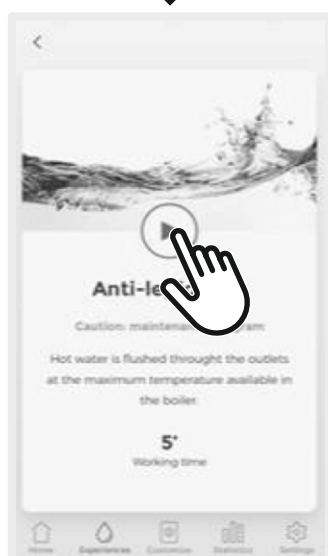
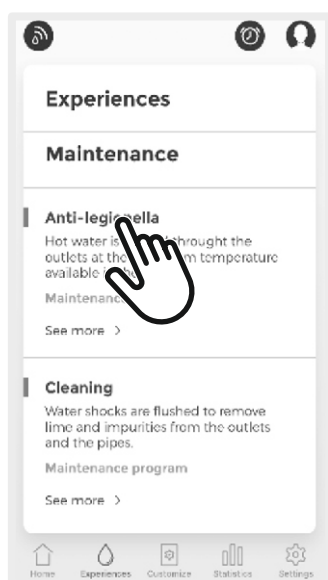
Experiences → Maintenance → Anti-legionella flushing

Maintenance

There are two maintenance/cleaning programmes that can be triggered in the S-FLOW APP.

Anti-legionella flushing

For 10 minutes, the system opens the water outlets one by one with hot water only!



⚠ Caution! During this process, hot water flows through all consumers to flush the pipes! There is a risk of scalding!

⚠ Caution! Pay attention to the alignment of the consumers, especially the hand shower, as otherwise water damage may occur.

⚠ Caution! Check that the shower is clear (no persons or objects).

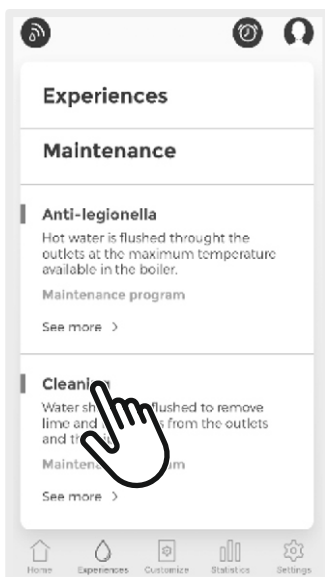
i The process can be cancelled via "CANCEL" in the S-FLOW APP or by pressing the left rotary knob on the mixer.

Experiences → Maintenance → Cleaning

Cleaning

The system opens and closes the water outlet to flush out limescale or impurities that may be in the water pipes.

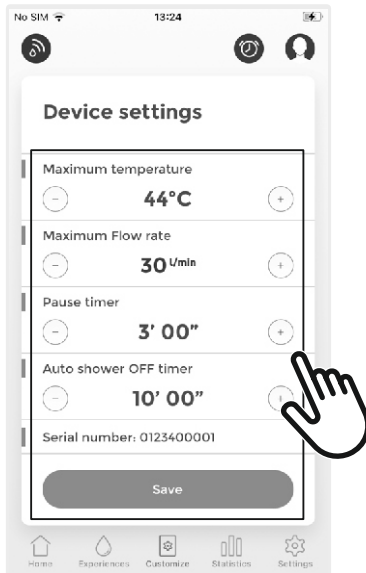
- ⚠ **Caution! During this process, cold and hot water flows through all consumers to flush the pipes! There is a risk of scalding!**
- ⚠ **Caution! Pay attention to the alignment of the consumers, especially the hand shower, as otherwise water damage may occur.**
- ⚠ **Caution! Check that the shower is clear (no persons or objects).**



- i** The process can be cancelled via "CANCEL" in the S-FLOW APP or by pressing the left rotary knob on the mixer.

Device settings

In the "Device settings", "Maximum temperature", "Maximum flow", "Pause time" and "Auto shower OFF timer" can be set for the three users.



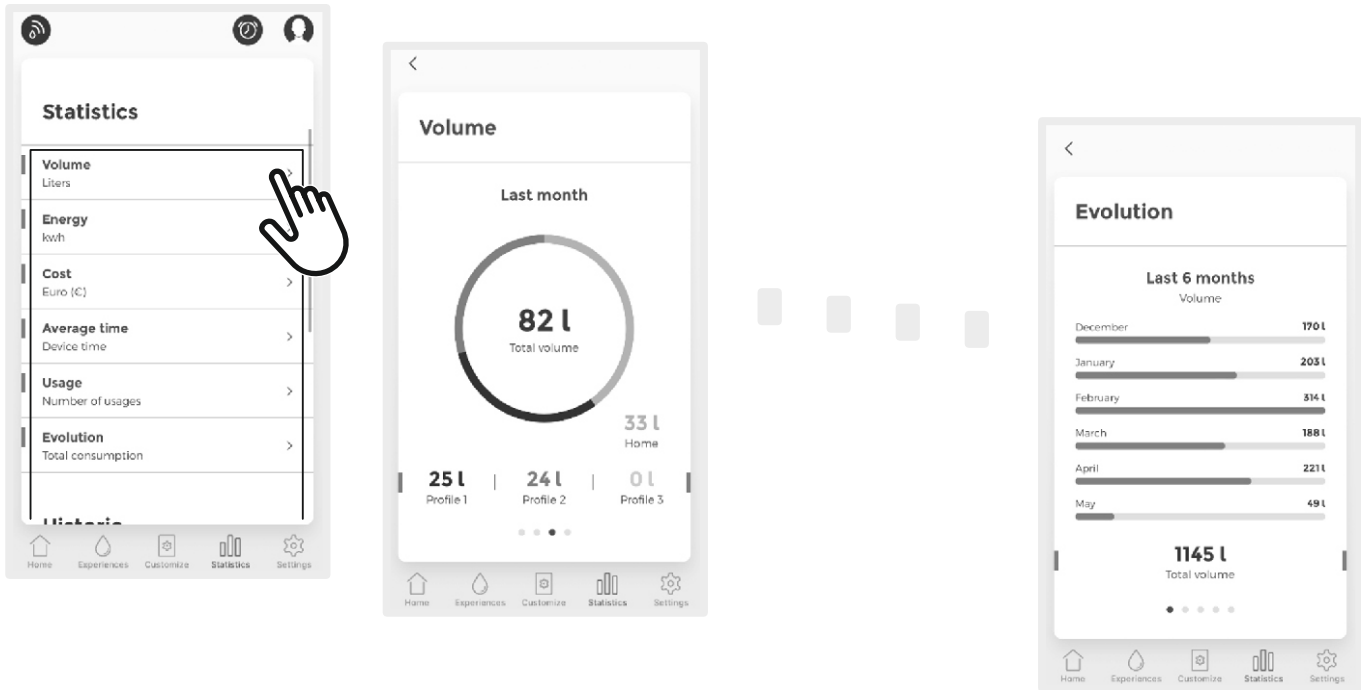
i This display also contains the **serial number** of the system. This serial number is important if external maintenance is required and must be specified if necessary.

S-FLOW

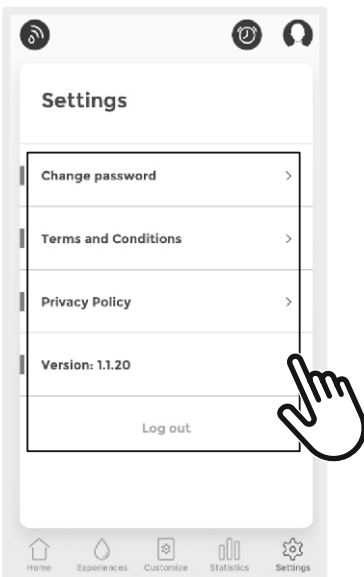
Statistics

Statistics

The **S-FLOW** APP displays various statistics on water consumption, energy, average usage time, frequency of use and the development of all these parameters.



Settings



The password can be changed in the "Settings" menu. Here you will also find the terms and conditions and the privacy policy of the APP as well as the current APP version.

In this menu you will also find "Logout" to log out of your user account.

Annex

Problems

Problems

| Problem | Description | Recommended action |
|---|---|---|
| PushTronic without function | The PushTronic has lost the connection to the mixing unit | Check the power supply to the mixing unit. Check the connection of the power cable and the display cable to the mixing unit and check whether the cables are damaged. If the problem persists, please contact customer service. |
| Individual controllers without function | Connections interrupted or controllers defective | Please contact customer service. |
| Low flow rate at the outlets | The flow rate is too low at the outlets, probably due to dirt that has accumulated in them. | Start the cleaning programme (CLE), 2 or 3 times if necessary. Check the water pressure and start the start-up process. |
| System is not working correctly and the temperature at the outlets is too hot | The water inlets are reversed. | |
| System is not working correctly and the temperature at the outlets is too cold | The hot water valve is not working properly. | Please contact customer service. |