

Technische Daten/ Technical Data

KLUDI E-GO

electronic controlled single lever sink mixer
DN 15

Ref.:
422106675

Finishes:
66 deep black matt

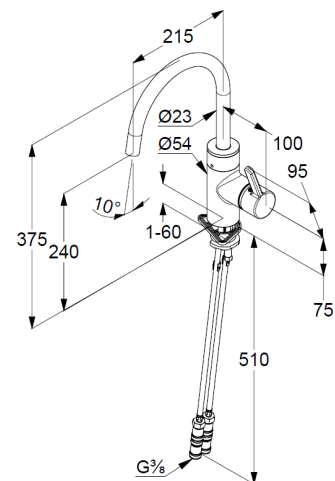
Product description
Manufacturer KLUDI GmbH & Co. KG
Typ: KLUDI E-GO
electronic controlled single lever sink mixer
Ref.: 422106675

kitchen faucet
electronic controlled single lever sink mixer
with 6V Lithium Battery CR-P2
sensor self-adjusting
activation optoelectronic
maximum water run-time 2 minutes
with activatable cleaning mode
single lever mixer
manual or electronic actuation
1-hole mounted
solid lever, metal
aerator M21,5
protected against back flow
Hybrid cartridge with hotwater limitation
with magnet valve
flow rate at 3 bar
4,5 l/min. electronic
10,5 l/min. manuell
swivel spout (360°)
flexible hoses G $\frac{3}{8}$ DVGW approved
with integrated back flow preventer
with dirt-catcher sieve
rapid installation set

Produktabbildung/ Product picture



Maßzeichnung/ Dimensional drawing



Durchfluss/ Flow rate

