

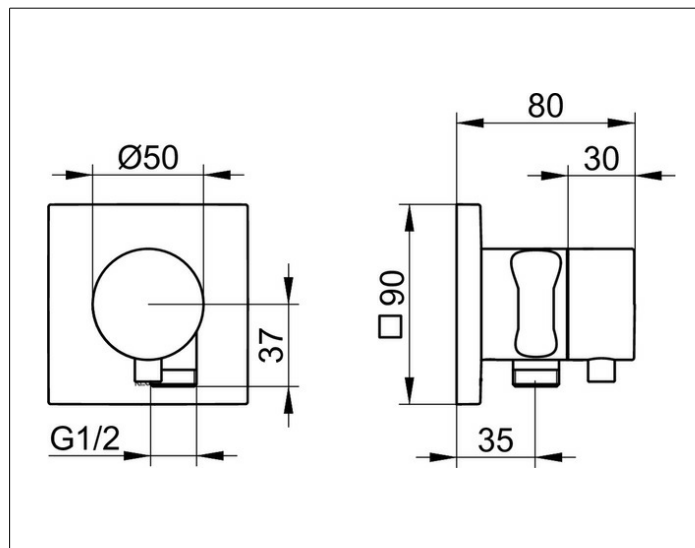
**IXMO**

**59556011202 2-way diverter valve with wall outlet for shower hose and hand shower bracket DN 15**

**PRODUCT**



**DRAWING**



**PRODUCT ATTRIBUTES**

for shower hoses with fitted conical end brackets  
Set complete with:  
handle, casing, rosette (square) and diverter valve,  
intrinsicly safe against backflow,  
suitable for rough part no. 59556 000170

**SURFACE**

chrome-plated

**DIMENSION**

IXMO Comfort, eckig

**SPECIFICATIONS**

KEUCO IXMO 2-way diverter valve  
with wall outlet for shower hose  
and hand shower bracket DN 15, 59556011202  
chrome-plated 2-way diverter valve  
with wall outlet for shower and hand shower bracket,  
IXMO Comfort lever with square rosette,  
freely positionable, with backflow preventer,  
installation depth 80 - 110 mm,  
with adjustment facilities whilst assembling  
for handle and rosette,  
with hose connection G1/2 inch  
and integrated hand shower bracket,  
for shower hoses with fitted conical end brackets,  
e.g KEUCO shower hose 54995...,  
rosette 90 x 90 mm, 10 mm thick,  
total depth 80 mm,  
set complete with:  
handle, sleeve, rosette (square) and diverter valve,  
suitable for rough part no. 59556000170