

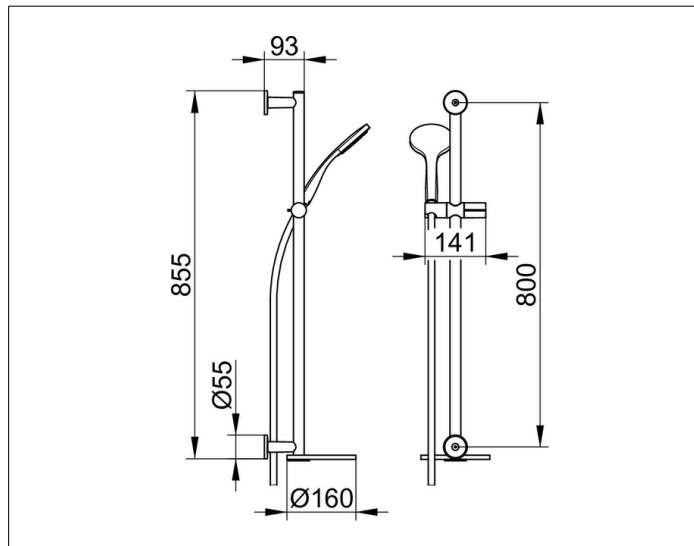
**IXMO**

**59587010901 Shower set**

**PRODUCT**



**DRAWING**



**PRODUCT ATTRIBUTES**

consisting of:

- rail 855 mm (rosettes round) and hand-shower bracket, height adjustable with handle, adjustable tilt angle, mountable on the right or left side
- with swivelling shelf (Ø 160 mm)
- spacer disc (5 mm)
- hand shower with normal jet
- shower hose, 1600 mm

**SURFACE**

chrome-plated/white

**DIMENSION**

855 mm