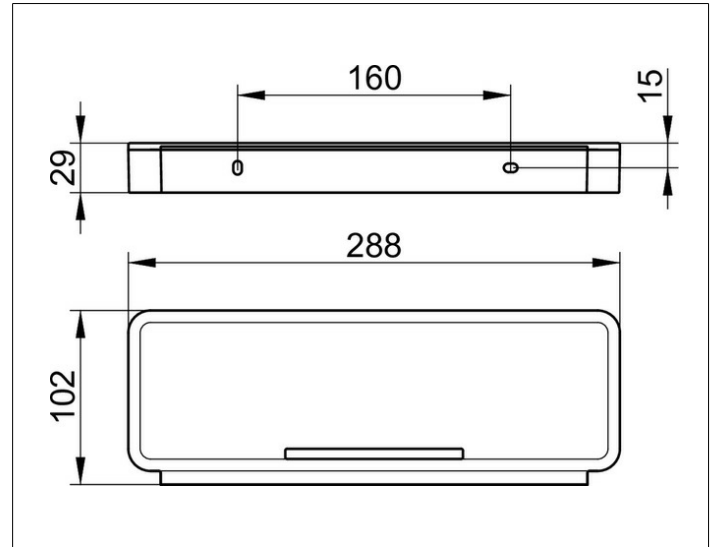


Plan
14959010051 Shower basket

PRODUCT



DRAWING



PRODUCT ATTRIBUTES

3 parts: metal bracket, detachable synthetic insert, soap resistant, shatterproof, v-protected and integrated glass wiper

SURFACE

chrome-plated/white (RAL 9010)

NOTE

SPECIFICATIONS

KEUCO PLAN Shower shelf with integrated glass wiper, 14959010051
 Shower shelf, highgloss chrome-plated, with integrated glass wiper in an aesthetic, functional design, chrome-plated/white (RAL 9010), high-quality metal frame with removable, soap resistant, unbreakable and uv-protected synthetic insert (impact-resistant polysterol), depth 102 mm, width 288, height 29 mm, fastening distance: 160 mm, the shower shelf is mounted concealed, delivery incl. corrosion-free fastening material