

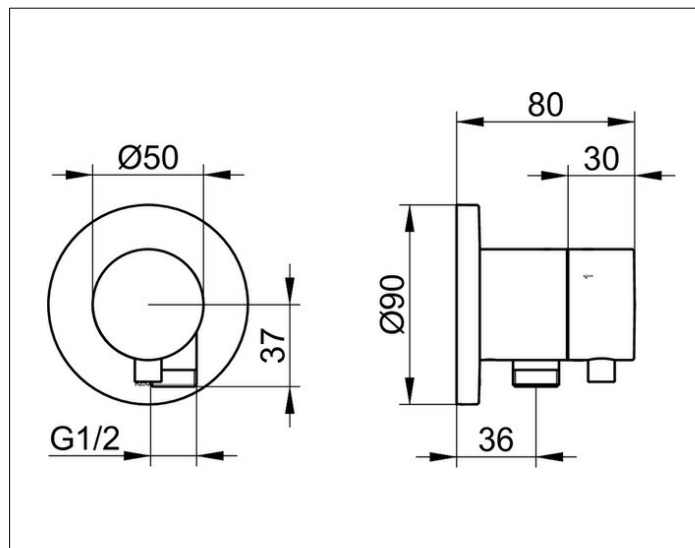
**IXMO**

**59549011101 3-way stop and diverter valve with wall outlet for shower hose DN 15**

**PRODUCT**



**DRAWING**



**PRODUCT ATTRIBUTES**

Set complete with:  
handle, casing, rosette (round) and stop and diverter valve,  
inherently safe against backflow,  
suitable for rough part no. 59548 000170

**SURFACE**

chrome-plated

**DIMENSION**

IXMO Comfort, rund

**SPECIFICATIONS**

KEUCO IXMO 3-way stop and diverter valve  
with wall outlet for shower hose UP DN15, 59549011101  
3-way stop and diverter valve of highgloss chrome-plated brass  
with IXMO handle Comfort and valve with wall outlet for shower hose, free  
positionable,  
integrated installation depth compensation of 80-110 mm,  
with adjustment option for fine assembly  
for lever unit and disc,  
with round decorative disc, valve with wall outlet for shower hose G 1/2 inch,  
disc diameter 90 mm, thickness 10 mm,  
Total projection 80 mm,  
the valve with wall outlet for shower hose is inherently safe against  
backflow, DIN EN 1717  
All inlets planned below the water inlet line  
must be checked and, if necessary, according to DIN 1988  
secure against backflow

Set complete with:  
handle, outer shell, disc (round) and stop and diverter valve  
suitable for concealed installation unit article no. 59548000170