

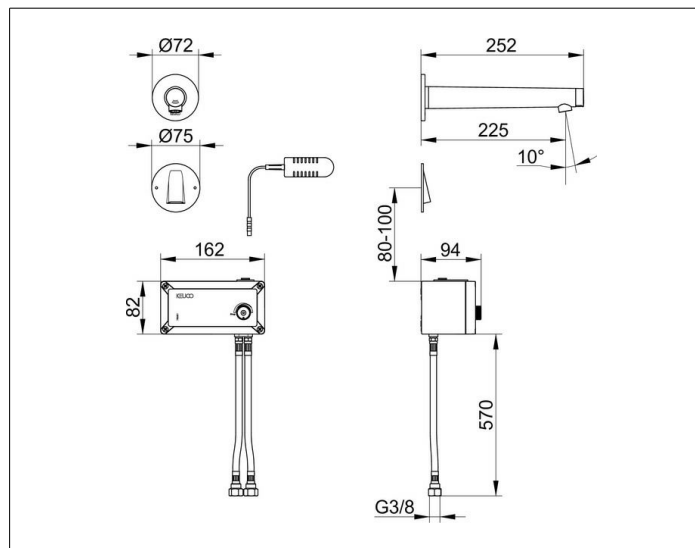
IXMO

59517371101 Electronic touchless basin mixer

PRODUCT



DRAWING



PRODUCT ATTRIBUTES

concealed, DN 15, with round rosette,
with temperature setting capable
from under counter control box,
can also be used as a cold water tap, infrared sensors,
manual water-stop for cleaning capable
from under counter control box,
optional adjustable hygiene flush (12/24 h),
M 20x1 aerator
restricted flow rate 5 l/min.
suitable for instant water heaters
Finish set consisting of:
Wall outlet including sensors, under-counter control box
Plug-in power supply
Power supply:
Mains connection via plug-in power supply
6 V plug-in power supply, input range 100-240 V

SURFACE

black matt

DIMENSION

Ausladung 225 mm

SPECIFICATIONS

KEUCO IXMO Pure Electronic touchless concealed basin mixer - Black Selection - Mains connection via plug-in power supply, 59517 371101 Electronic touchless basin mixer in aesthetic, functional design for concealed installation DN15 with round rosette in matt black surface, Projection: 225mm, without pop-up waste, with temperature setting at the under-counter control box, can also be used as a cold water tap, with the built-in infrared sensor range and delay time can be set, manual water-stop for easy cleaning, optional adjustable hygiene flush (12 / 24 h) and thermal disinfection possible, single installation with quick installation system, Aerator M20x1, Connection type: Basic unit (please order separately) restricted flow rate 5,0l/min, suitable for instant water heaters, noise tested

Finish set consisting of:
Wall outlet including sensors, under-counter control box Plug-in power supply

Mains connection via plug-in power supply unit (in delivery included), 6 V plug-in power supply, input range 100-240 V

Essential for installation:
Basic unit for concealed infrared pillar tap,
article no. 59917 000070 (please order separately)

Optional accessories:
Bluetooth adapter for electronic touchless basin mixer
article no. 59911 000000 (please order separately)