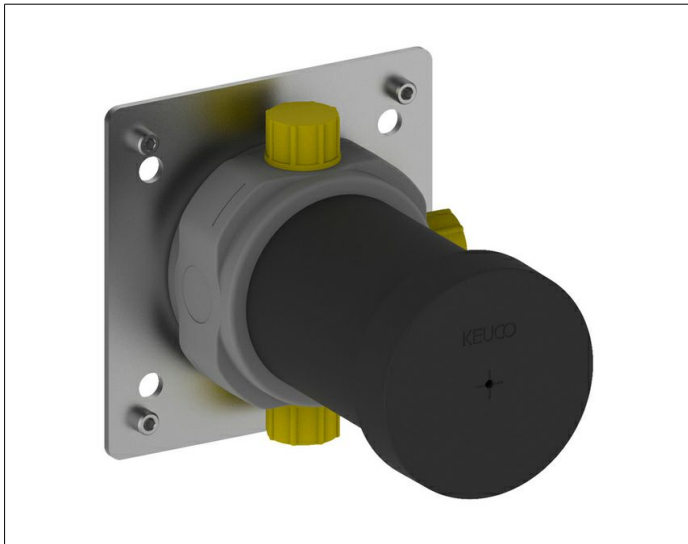


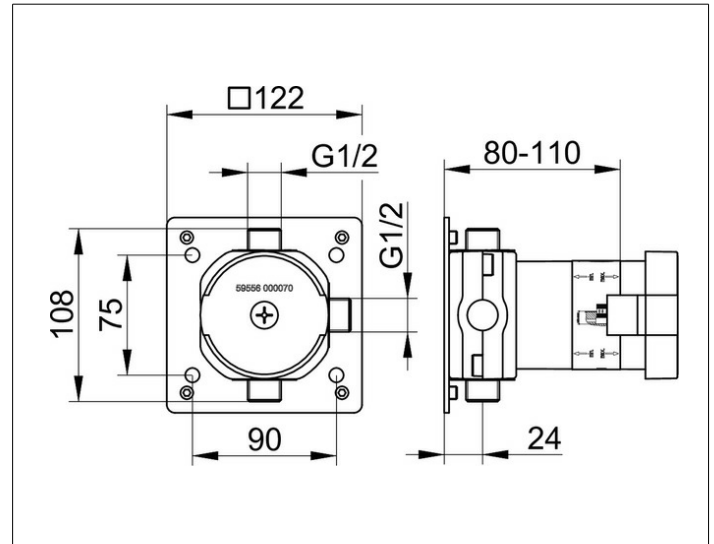
IXMO

5955600070 Installation unit for 2-way diverter valve DN 15

PRODUCT



DRAWING



PRODUCT ATTRIBUTES

Rough part for recessed installation
installation depth 80 - 110 mm

SPECIFICATIONS

KEUCO IXMO installation unit
for 2-way diverter valve, DN 15, 5955600070
sound-insulated rough part
made of low-dezincifying brass,
for recessed installation,
freely positionable,
installation depth 80 mm – 110 mm,
base plate with adjusting screws
for optimal positioning,
Connection G 1/2 inch with colour marking,
Note: Suitable for article no:
59556010001, 59556010002
59557010001, 59557010002