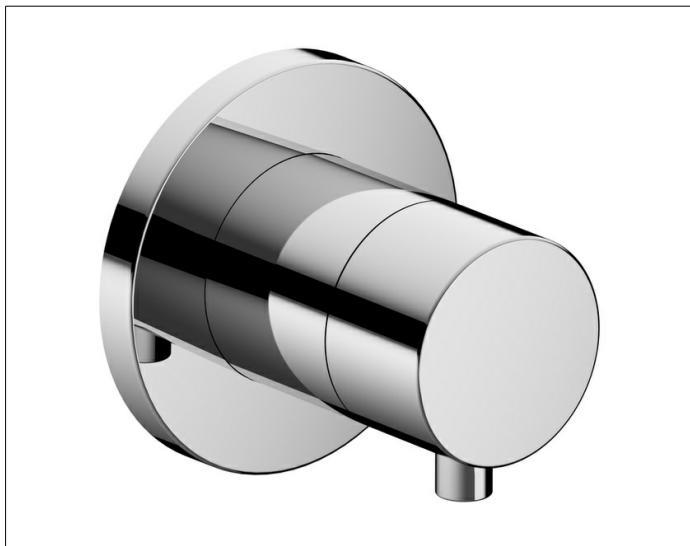


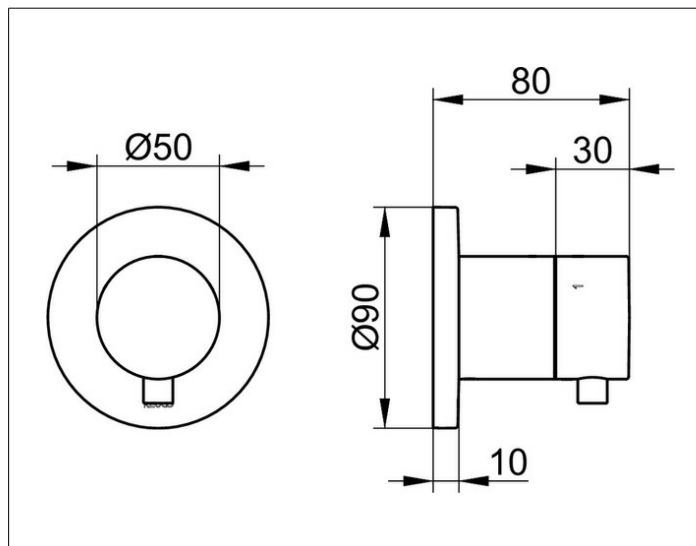
IXMO

59549011001 3-way stop and diverter valve DN 15

PRODUCT



DRAWING



PRODUCT ATTRIBUTES

Set complete with:
 handle, casing, rosette (round) and stop and diverter valve
 suitable for rough part no. 59548 000070

SURFACE

chrome-plated

SPECIFICATIONS

KEUCO IXMO 3-way stop and diverter valve DN 15, 59549011001
 3-way stop and diverter valve DN 15 of highgloss chrome-plated brass
 with IXMO handle Comfort and round disc, free positionable,
 integrated installation depth compensation of 80-110 mm,
 with adjustment option for fine assembly
 for lever unit and disc,
 disc diameter 90 mm, thickness 10 mm,
 total projection 80 mm

Set complete with:
 handle, casing, disc (round) and stop and diverter valve
 suitable for concealed installation unit article no. 59548000070