

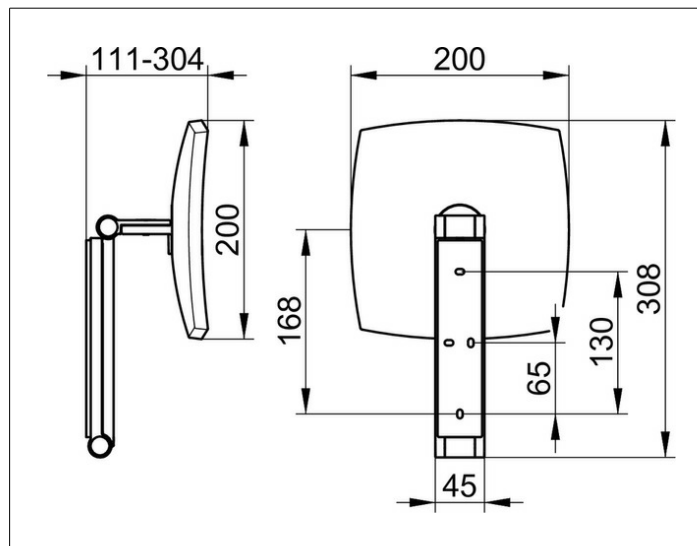
Cosmetic mirrors

17613050000 Cosmetic mirror

PRODUCT



DRAWING



PRODUCT ATTRIBUTES

non illuminated,
on pivoted rail adjustable in three dimensions,
one-sided mirror, magnification factor x 5

SURFACE

brushed nickel

SPECIFICATIONS

KEUCO iLook_move cosmetic mirror, 17613050000
high quality cosmetic mirror, square,
brushed nickel, non illuminated,
on pivoted rail, surface wall-mounted with 4 fixing points
for an optimal load distribution,
adjustable in three dimensions,
one-sided mirror, concave,
magnification factor x 5,
Height wall mounting 7-1/8", Width ca. 1-3/4",
max. Height ca. 19-11/16", External dimensions 7-7/8" x 7-7/8",
max. depth ca. 12",
the cosmetic mirror is fitted concealed,
delivery includes anti corrosion fixings