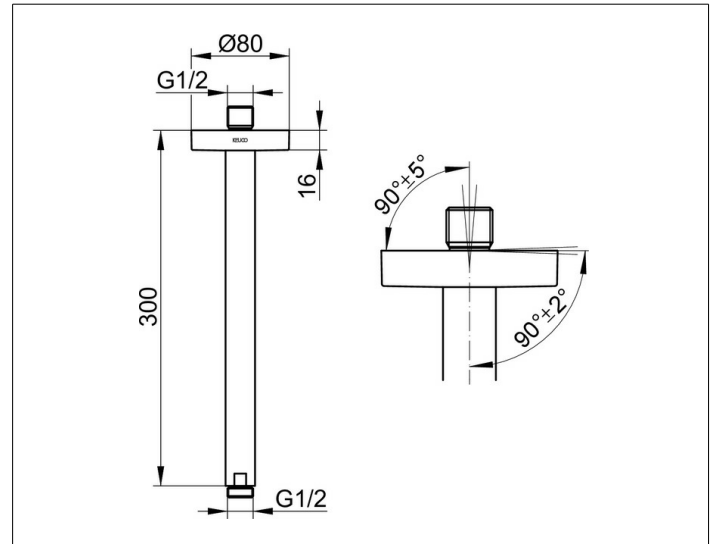


**Shower and shower accessories**  
**51689030300 Arm for head shower DN 15**

**PRODUCT**



**DRAWING**



**PRODUCT ATTRIBUTES**

ceiling mounted G 1/2, with round decorative disc  
 Opportunity of alignment to the ceiling ( $90^\circ \pm 2^\circ$ ) and  
 ceiling connection ( $90^\circ \pm 5^\circ$ )

**SURFACE**

brushed bronze

**DIMENSION**

300 mm