

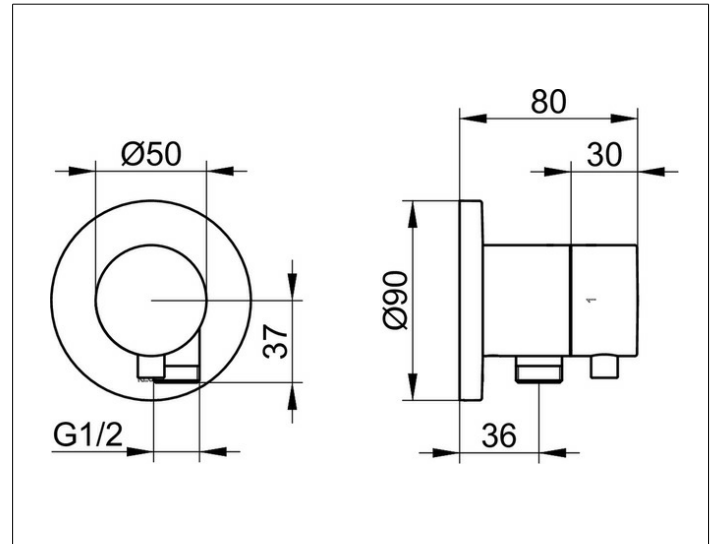
IXMO

59557051101 2-way stop and diverter valve with wall outlet for shower hose DN 15

PRODUCT



DRAWING



PRODUCT ATTRIBUTES

Set complete with:
 handle, casing, rosette (round) and stop and diverter valve,
 intrinsically safe against backflow,
 suitable for rough part no. 59556 000170

SURFACE

brushed nickel

DIMENSION

IXMO Comfort, rund