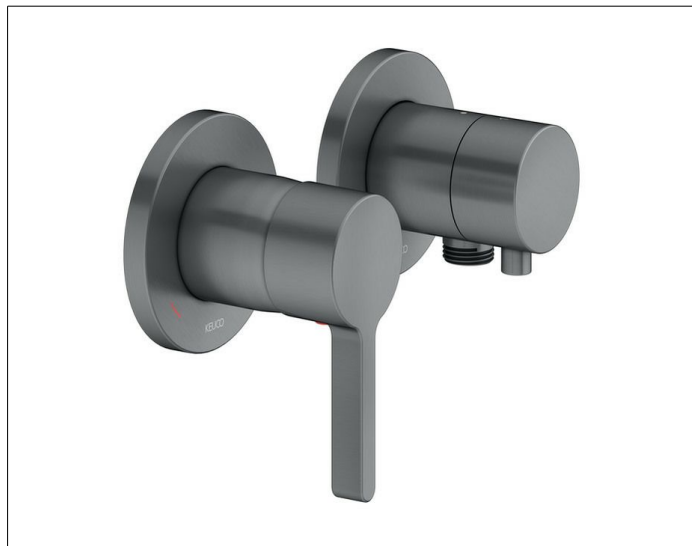


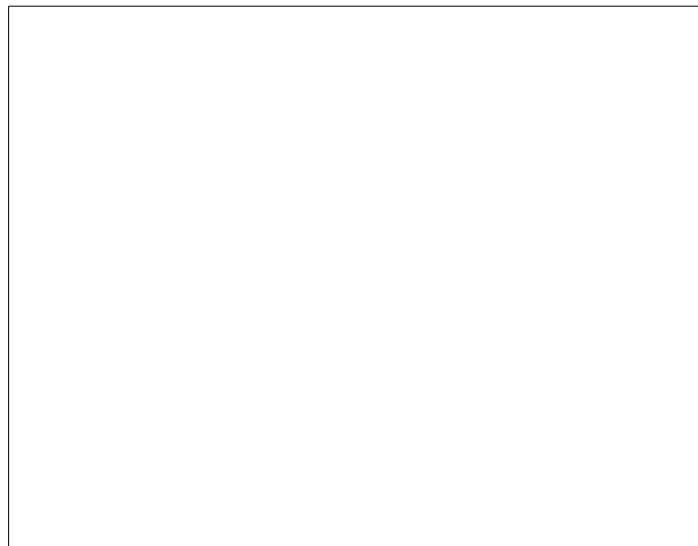
Edition 400

51551131121 2-way single lever mixer set with wall outlet for shower hose

PRODUCT



DRAWING



PRODUCT ATTRIBUTES

Consisting of:

- Single lever mixer
- Mixing cartridge with ceramic sealing gaskets, temperature controlled handle, sleeve, rosette (round) and installation unit
- Diverter valve handle, sleeve rosette (round) and diverter with backflow preventer

SURFACE

brushed black chrome

SPECIFICATIONS

KEUCO EDITION 400 Single lever mixer set 51551131121, consisting of:

KEUCO Single lever mixer UP DN15, 51551 130001 with high-quality PVD coating, brushed black chrome, for shower and bath made of low-dezincification brass, with round rosette, freely positionable, installation depth 80 - 110 mm, casing soundproofed, highquality mixing cartridge with ceramic sealing gaskets and temperature controlled, Set consisting of:

handle (EDITION 400), sleeve, rosette (round) and installation unit, total height with handle 135 mm, rosette Ø 90mm, thickness 10 mm, total projection 80 mm, suitable for concealed installation unit article no. 59551000070

KEUCO IXMO Single lever mixer set consisting of: diverter valve with wall outlet for shower hose UP DN15, 59556 131101 2 way diverter valve with high-quality PVD coating, brushed black chrome, with IXMO handle Comfort and round rosette, freely positionable,

installation depth 80-110 mm, with adjustment option for fine assembly for handle and rosette, with wall outlet for shower hose G 1/2 inch, rosette Ø 90 mm, thickness 10 mm, total projection 80 mm,

The wall outlet for shower hose is intrinsically safe against backflow according to DIN EN 1717.

All inlets planned below the water inlet line are to be checked and, if necessary, according to DIN 1988 secure against backflow.

Set consisting of: handle, casing, rosette (round) and diverter valve, suitable for concealed installation unit article no. 59556000170

Essential for installation: Rough part set 59951 002170
Please order separately!