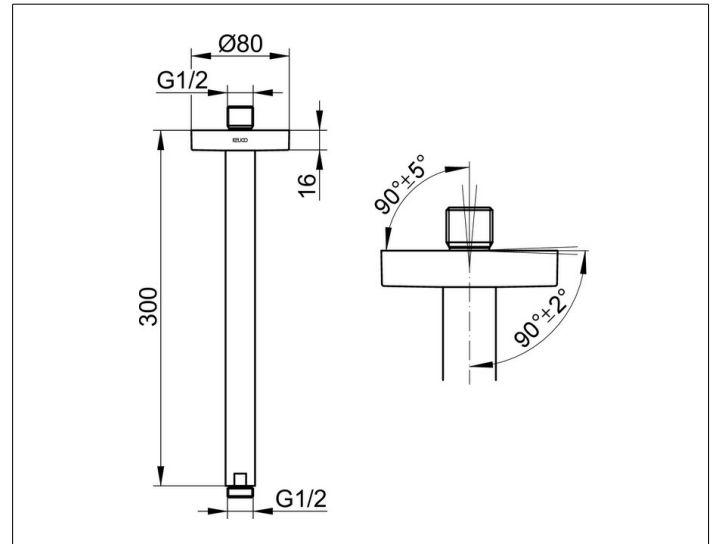


Shower and shower accessories
51689370300 Arm for head shower DN 15

PRODUCT



DRAWING



PRODUCT ATTRIBUTES

ceiling mounted G 1/2, with round decorative disc
 Opportunity of alignment to the ceiling ($90^\circ \pm 2^\circ$) and
 ceiling connection ($90^\circ \pm 5^\circ$)

SURFACE

black matt

DIMENSION

300 mm