

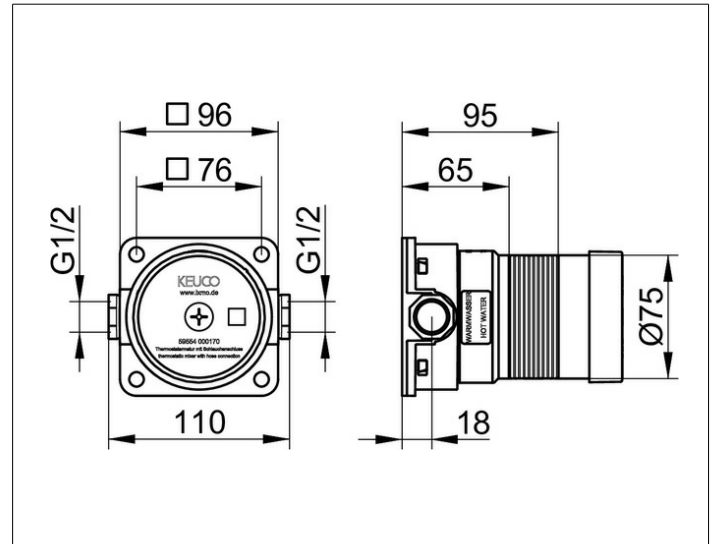
IXMO

59554000170 Installation unit for thermostatic mixer with wall outlet for shower hose DN 15

PRODUCT



DRAWING



PRODUCT ATTRIBUTES

Rough part for recessed installation
installation depth 65 - 95 mm

DIMENSION

mit Schlauchanschluß DN15