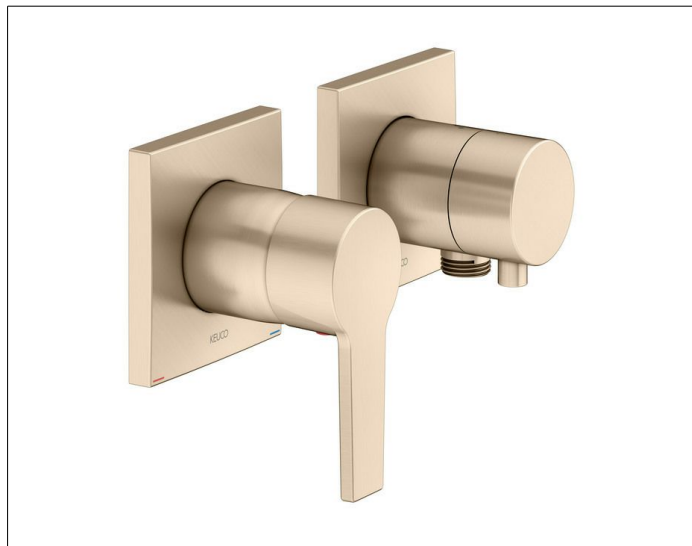


Edition 11

51151031122 2-way single lever mixer set with wall outlet for shower hose

PRODUCT



DRAWING



PRODUCT ATTRIBUTES

Consisting of:

- Single lever mixer
- Mixing cartridge with ceramic sealing gaskets, temperature controlled handle, sleeve, rosette (square) and installation unit
- Diverter valve handle, sleeve rosette (square) and diverter with backflow preventer

SURFACE

brushed bronze

SPECIFICATIONS

KEUCO EDITION 11 Single lever mixer set, 51151031122 consisting of:

KEUCO Single lever mixer UP DN15, 51151030002 with high-quality PVD coating, brushed bronze, for shower and bath made of low-dezincification brass, with square rosette, freely positionable, installation depth 80 - 110 mm, casing soundproofed, highquality mixing cartridge with ceramic sealing gaskets and temperature controlled, Set consisting of:

handle (EDITION 11), sleeve, rosette (square) and installation unit, total height with handle 130 mm, rosette 90 x 90 mm, thickness 10 mm, total projection 80 mm, suitable for concealed installation unit article no. 59551000070

KEUCO IXMO 2 way diverter valve with wall outlet for shower hose UP DN15, 59556031102 2 way diverter valve with high-quality PVD coating, brushed bronze, with handle IXMO Comfort and square rosette, freely positionable, installation depth 80-110 mm, with adjustment option for fine assembly for handle and rosette, wall outlet for shower hose G 1/2 inch, rosette 90 x 90 mm, thickness 10 mm, Total projection 80 mm,

The wall outlet for shower hose is intrinsically safe against backflow according to DIN EN 1717.

All inlets planned below the water inlet line are to be checked and, if necessary, according to DIN 1988 secure against backflow.

Set consisting of:

handle, casing, rosette (square) and diverter valve, suitable for concealed installation unit article no. 59556000170

Essential for installation: Rough part set 59951 002170

Please order separately!